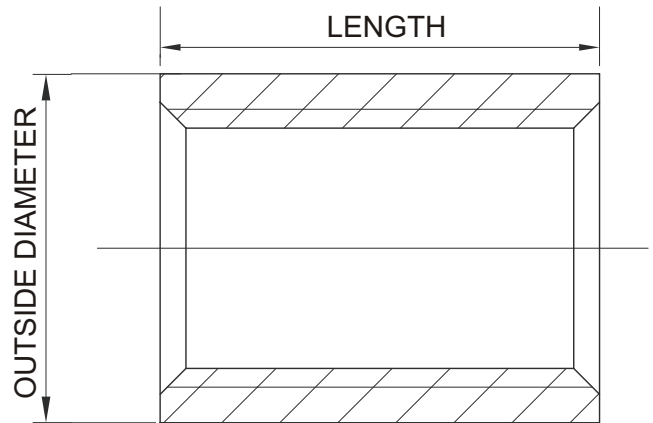


MERCHANT STEEL COUPLINGS



Materials: ASTM A865
 Dimensions: ASTM A865
 Threads: ASME B1.20.1
 (1/8~2" NPS) (2 1/2~6" NPT)
 Schedule: Standard

Most but not all products represented in this document are FM Approved.
 For listing/approval details and limitations, please contact your Sales Representative or visit <https://www.approvalguide.com>



Size		in	1/8	1/4	3/8	1/2	3/4	1	1 1/4	1 1/2
Full	Pipe O.D.	in	0.563	0.719	0.875	1.063	1.313	1.576	1.900	2.200
	Length	in	3/4	1-1/8	1-1/8	1-1/2	1-9/16	1-15/16	2	2
Half	Pipe O.D.	in	0.563	0.719	0.875	1.063	1.313	1.576	1.900	2.200
	Length	in	0.335	0.531	0.531	0.709	0.748	0.925	0.965	0.965

Size		in	2	2 1/2	3	3 1/2	4	5	6
Full	Pipe O.D.	in	2.75	3.250	4.000	4.625	5.000	6.296	7.390
	Length	in	2-1/16	3-1/16	3-3/16	3-5/16	3-7/16	3-11/16	3-15/16
Half	Pipe O.D.	in	2.75	3.250	4.000	4.625	5.000	6.296	7.390
	Length	in	1.051	1.496	1.555	1.634	1.673	1.811	1.949