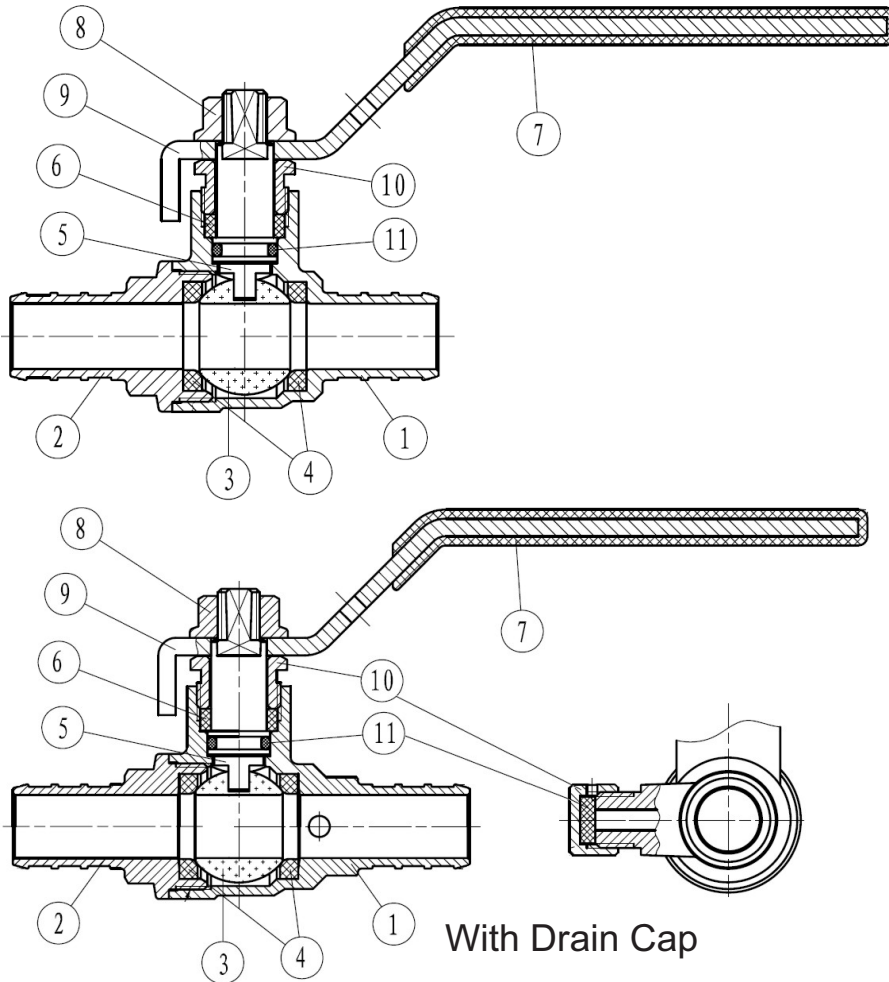


BRASS PEX BALL VALVES LEVER HANDLE



Blue Handle	Red Handle	
13354	13454	1/2"
13355	13455	3/4"
13356	13456	1"

Blue Handle	Red Handle	
13374	13474	1/2"
13375	13475	3/4"
13376	13476	1"

Specifications

- Forged brass
- 400 CWP RF
- Temperature range from 14 °F to 230 °F (-10 °C to 110 °C)
- Packing gland & O-ring on stem seal mode
- PEX ends: ASTM F1807-14
- Handle with vinyl coating

Certifications by

IAPMO (UPC)

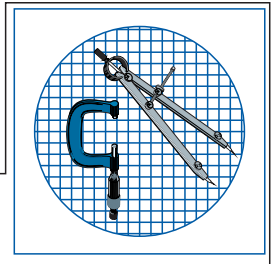
Comply with

cUPC, CSA, NSF/ANSI Standard 61

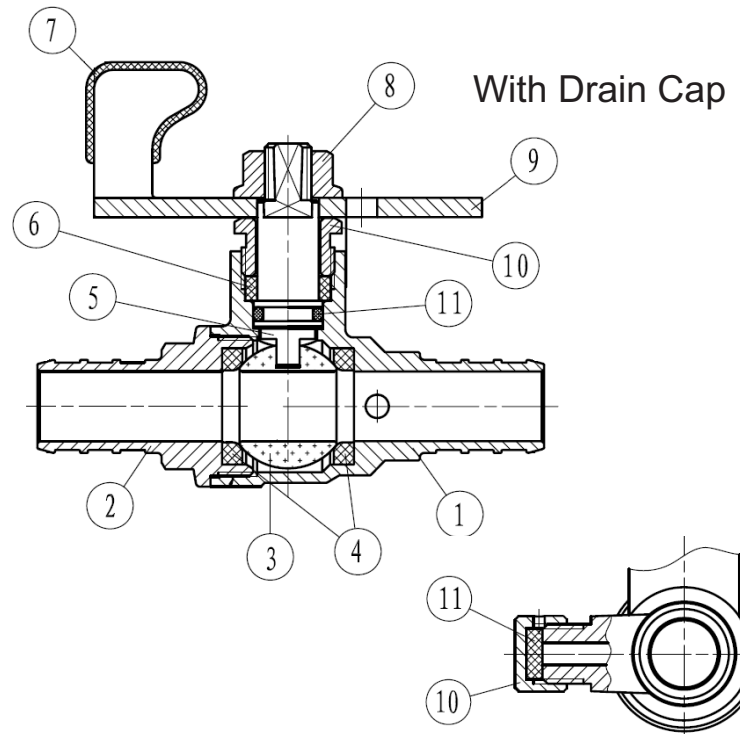
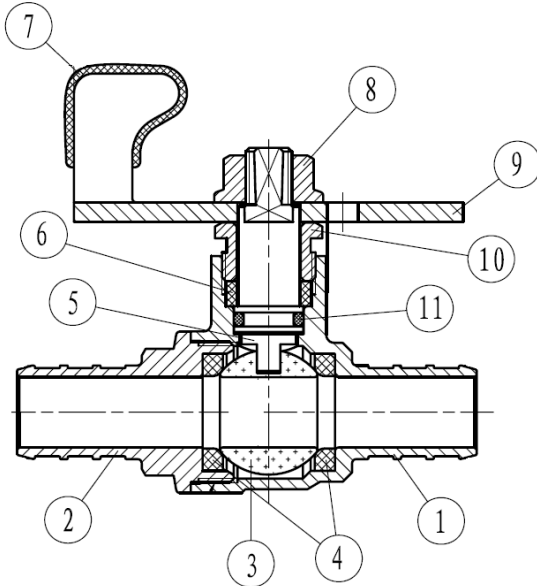


List of Materials

#	Part	Material
1	Body	C69300
2	Bonnet	C69300
3	Ball	C69300
4	Seat	PTFE
5	Stem	C69300
6	Packing	PTFE
7	Sleeve	PVC
8	Nut	Steel
9	Handle	Steel
10	Glan Nut	HPb58-3
11	O-Ring	EPDM



BRASS PEX BALL VALVES BUTTERFLY HANDLE



Blue Handle	Red Handle	
13364	13464	1/2"
13365	13465	3/4"
13366	13466	1"

Blue Handle	Red Handle	
13384	13484	1/2"
13385	13485	3/4"
13386	13486	1"

Specifications

- Forged brass
- 400 CWP RF
- Temperature range from 14 °F to 230 °F (-10 °C to 110 °C)
- Packing gland & O-ring on stem seal mode
- PEX ends: ASTM F1807-14
- Handle with vinyl coating

Certifications by

IAPMO (UPC)

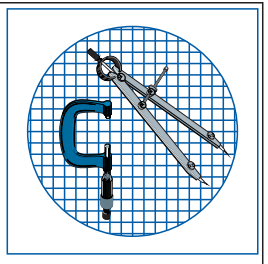
Comply with

cUPC, CSA, NSF/ANSI Standard 61

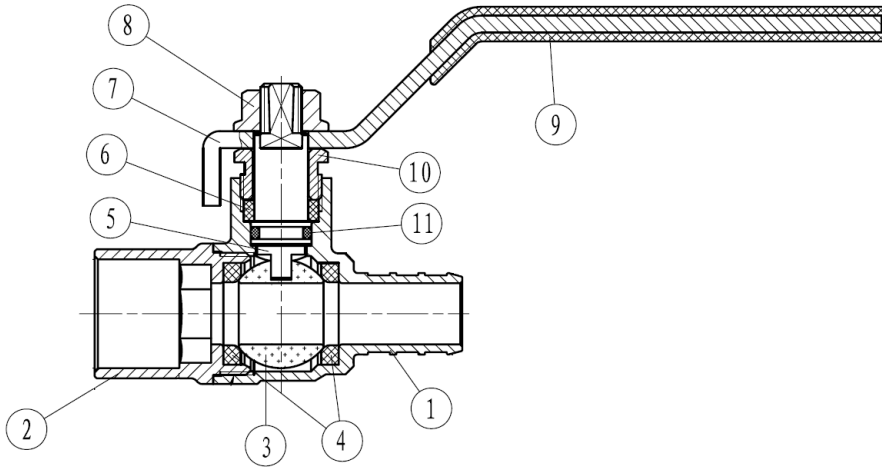


List of Materials

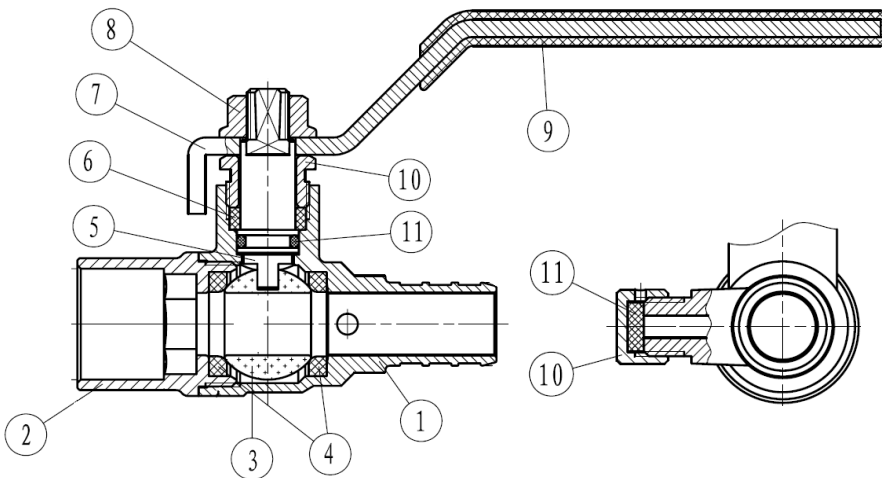
#	Part	Material
1	Body	C69300
2	Bonnet	C69300
3	Ball	C69300
4	Seat	PTFE
5	Stem	C69300
6	Packing	PTFE
7	Sleeve	PVC
8	Nut	Steel
9	Handle	Steel
10	Glan Nut	HPb58-3
11	O-Ring	EPDM



BRASS CxPEX BALL VALVES LEVER HANDLE



CxPEX	CxPEX / Drain	
13324	13334	1/2"
13325	13335	3/4"



Specifications

- Forged brass
- 400 CWP RF
- Temperature range from 14 °F to 230 °F (-10 °C to 110 °C)
- Packing gland & O-ring on stem seal mode
- PEX ends: ASTM F1807-14
- Handle with vinyl coating

Certifications by

IAPMO (UPC)

Comply with

cUPC, CSA, NSF/ANSI Standard 61



List of Materials

#	Part	Material
1	Body	C69300
2	Bonnet	C69300
3	Ball	C69300
4	Seat	PTFE
5	Stem	C69300
6	Packing	PTFE
7	Sleeve	PVC
8	Nut	Steel
9	Handle	Steel
10	Glan Nut	HPb58-3
11	O-Ring	EPDM