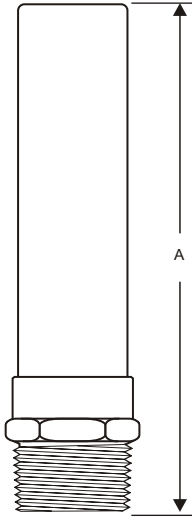
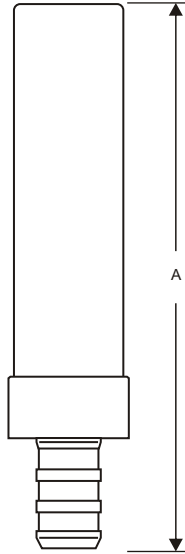


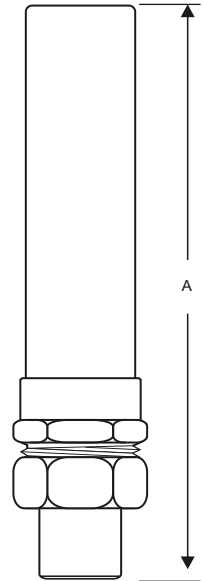
# 'AA' TYPE WATER HAMMER ARRESTERS



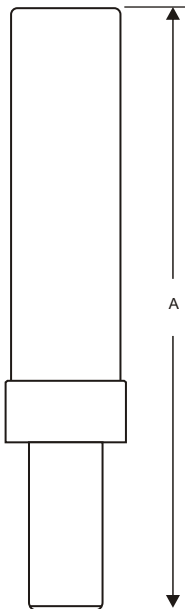
BMI#	Description	A (mm)	Kg
31204	1/2" MIPS	99.3	0.24
31205	3/4" MIPS	99.3	0.27



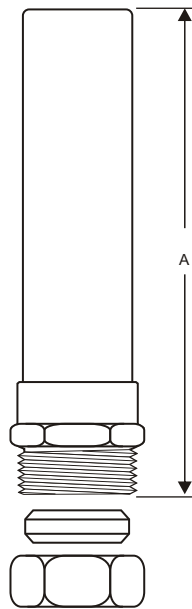
BMI#	Description	A (mm)	Kg
31224	1/2" PEX	100.8	0.22



BMI#	Description	A (mm)	Kg
31254	1/2" CPVC	115.0	0.25

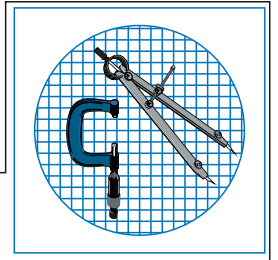


BMI#	Description	A (mm)	Kg
31214	1/2" FTG	124.0	0.26
31215	3/4" FTG	125.0	0.26

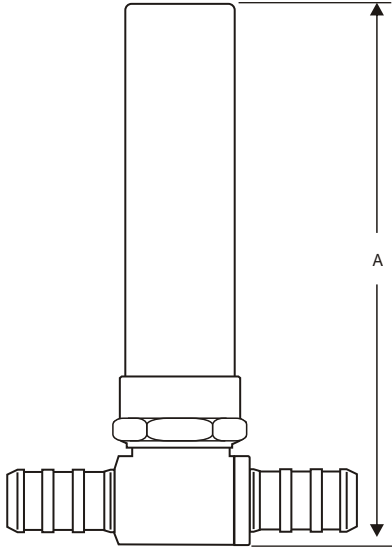


BMI#	Description	A (mm)	Kg
31234	5/8" Comp.	96.3	0.25

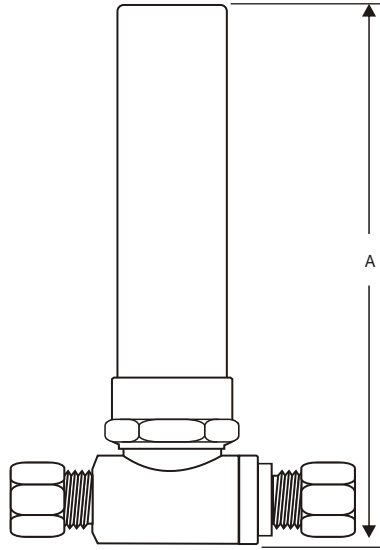




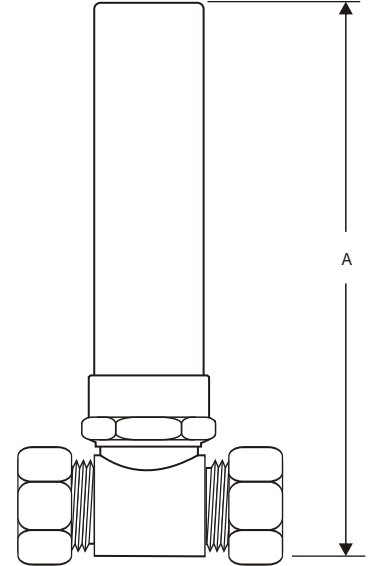
# 'AA' TYPE WATER HAMMER ARRESTERS



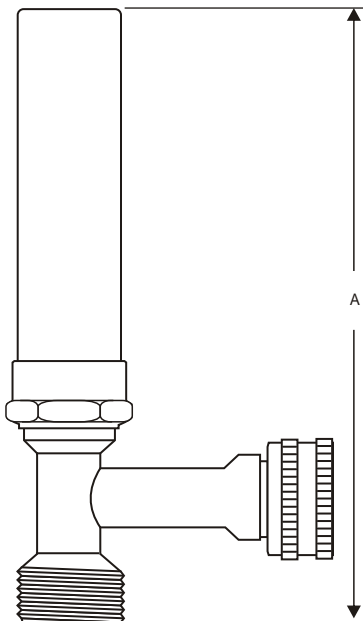
BMI#	Description	A (mm)	Kg
31274	1/2" PEXxPEX	107.0	0.24



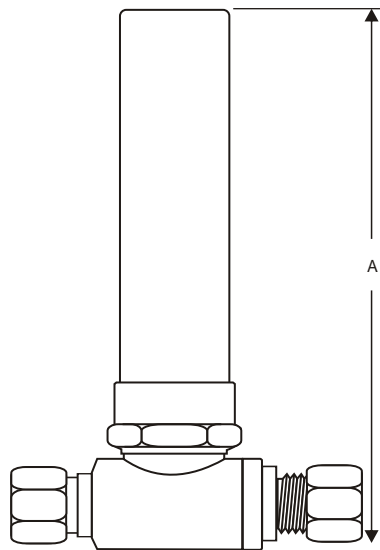
BMI#	Description	A (mm)	Kg
31243	3/8" Comp x Comp	106.0	0.25



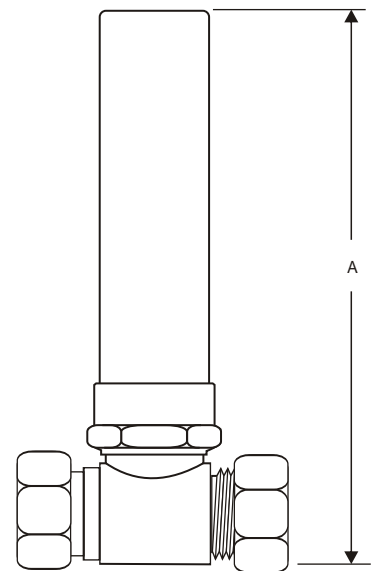
BMI#	Description	A (mm)	Kg
31244	5/8" Comp x Comp	108.5	0.27



BMI#	Description	A (mm)	Kg
31985	3/4" Hose F x M	139.9	0.30
<i>Retrofit Product</i>			

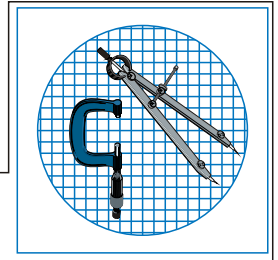


BMI#	Description	A (mm)	Kg
31263	3/8" Swvl x Comp.	106.0	0.25
<i>Retrofit Product</i>			



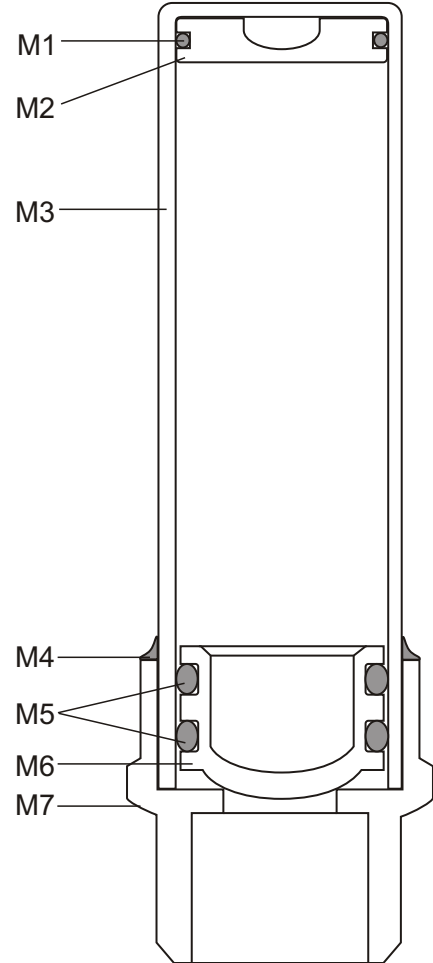
BMI#	Description	A (mm)	Kg
31264	5/8" Swvl x Comp.	108.5	0.27
<i>Retrofit Product</i>			





# 'AA' TYPE WATER HAMMER ARRESTERS

MATERIALS LIST			
	DESCRIPTION	MATERIAL	STANDARD
M1	O-RING	NBR	<del> </del>
M2	CHAMBER CAP	LEAD FREE BRASS	C46500
M3	CHAMBER	COPPER	T2 TUBE
M4	SOLDERING	SILVER	<del> </del>
M5	O-RING	NBR	<del> </del>
M6	PISTON	LEAD FREE BRASS	C46500
M7	BODY	LEAD FREE BRASS	C46500



## Specifications

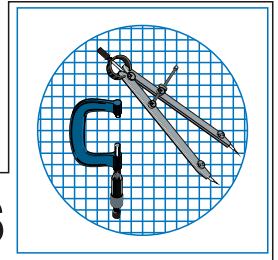
- Residential appliance application type 'AA' (Point of use)
- Lead free soldering assembly
- Piston type (permanently sealed chamber) arrester
- FDA approved silicon lubricant
- Working Temperature: 33~180 °F (1~82 °C)
- Working Pressure: 0~60 psi (0~4.2 kgf/cm<sup>2</sup>)
- Maximum Temperature: 200 °F (93 °C)
- Maximum Pressure: 250 psi (17.5 kgf/cm<sup>2</sup>)
- Absorptive Capacity: 150 psi (10.5 kgf/cm<sup>2</sup>)

## Complies with

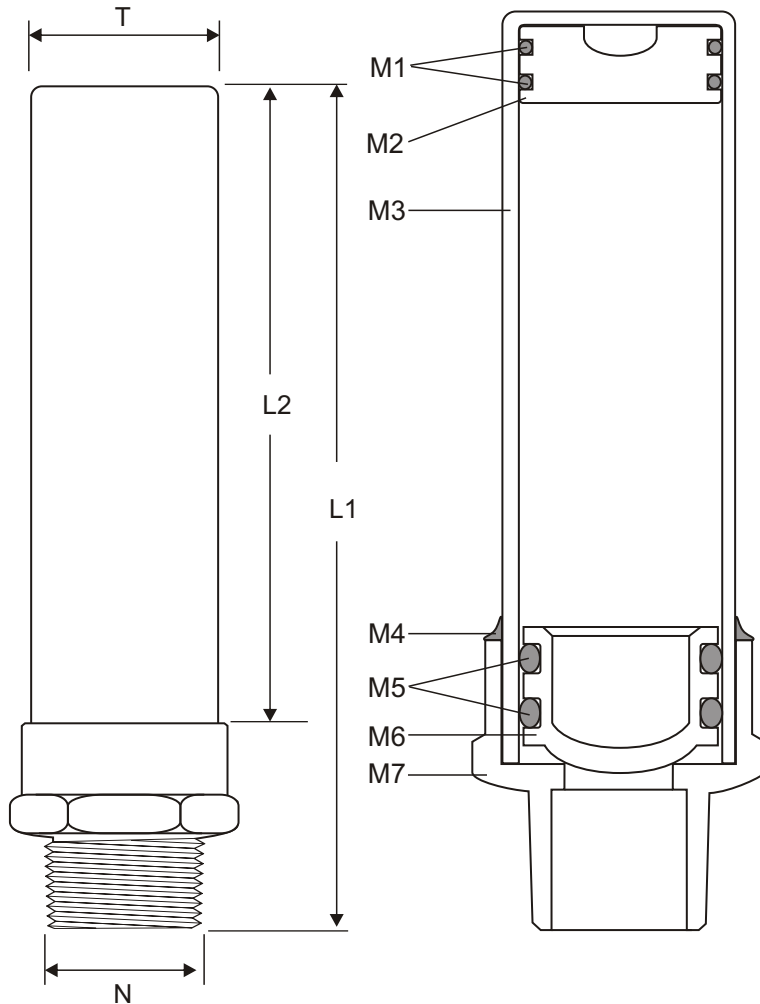
ASME A112.18.1, CSA B125.1-11, F1807 PEX,  
NSF/ANSI Standard 61, IGC168 - 2012  
PDI WH201, ASSE 1010-2014

## Certified by

IAPMO (cUPC)



# COMMERCIAL TYPE WATER HAMMER ARRESTERS



## Specifications

- Commercial application type A~F
- Lead free soldering assembly
- Piston type (permanently sealed chamber) arrester
- FDA approved silicon lubricant
- Working Temperature: 33~180 °F (1~82 °C)
- Working Pressure: 0~60 psi (0~4.2 kgf/cm<sup>2</sup>)
- Maximum Temperature: 200 °F (93 °C)
- Maximum Pressure: 400 psi (28.1 kgf/cm<sup>2</sup>)
- Absorptive Capacity: 150 psi (10.5 kgf/cm<sup>2</sup>)

## Complies with

ASME A112.18.1, CSA B125.1-11,  
NSF/ANSI Standard 61, IGC168 - 2012  
PDI WH201, ASSE 1010-2014

## Certified by

IAPMO (cUPC)

COMMERCIAL TYPE WATER HAMMER ARRESTERS							Fixture Served
BMI#	SIZE	T (NPT)	N	L1 (mm)	L2 (mm)	Kg	
31104	A	1/2	28.6	154.0	117.0	0.28	1~11
31105	B	3/4	34.9	206.4	164.4	0.51	12~22
31106	C	1	41.2	220.6	170.6	0.76	33~60
31107	D	1 1/4	54.0	225.6	200.6	1.60	61~113
31108	E	1 1/2	66.9	284.1	225.1	2.47	114~154
31109	F	2	66.9	365.0	304.0	3.50	155~330

MATERIALS LIST			
	DESCRIPTION	MATERIAL	STANDARD
M1	O-RING	NBR	<del>XXXXXX</del>
M2	CHAMBER CAP	LEAD FREE BRASS	C46500
M3	CHAMBER	COPPER	T2 TUBE
M4	SOLDERING	SILVER	<del>XXXXXX</del>
M5	O-RING	NBR	<del>XXXXXX</del>
M6	PISTON	LEAD FREE BRASS	C46500
M7	BODY	LEAD FREE BRASS	C46500