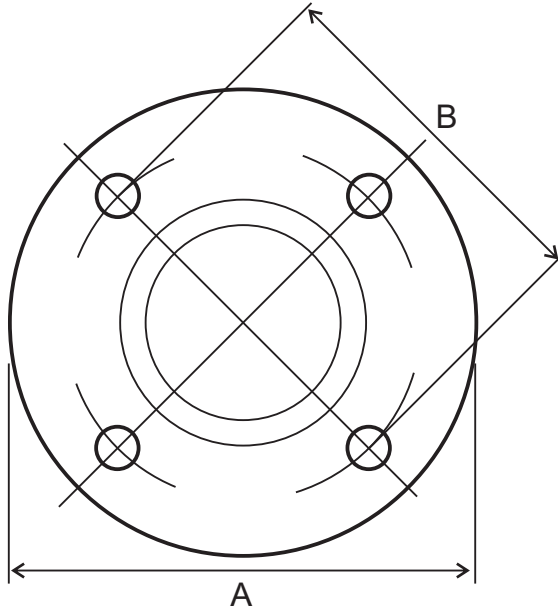


BRIDE COMPAGNON FONTE DUCTILE

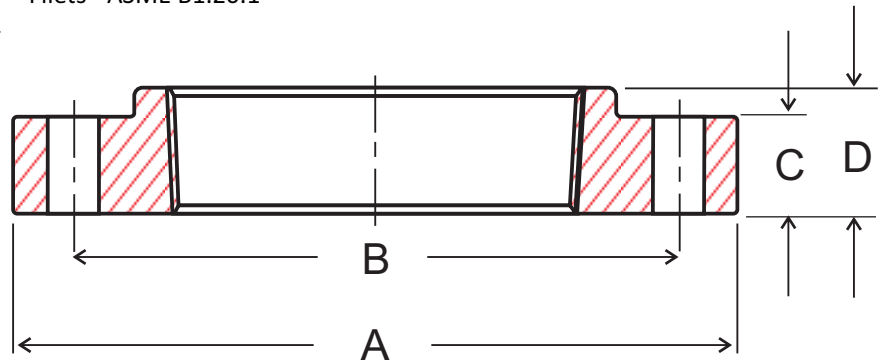


Conforme à :

Matériaux - ASTM A536 grade 65-45-12
 Dimensions - ASME B16.42/AWWA C110
 Enduit - Électrophorétique noir
 Enduit - Galvanisé à chaud ASTM A153
 Filets - ASME B1.20.1

Spécifications :

Fonte ductile
 Classe #150
 Surface dentelée
 CRN#



en pouces

| #BMI noir | #BMI galv. | Taille du filet | A | B | C | D | Trou de boulon | Nombre de trous | Poids lb |
|-----------|------------|-----------------|-------|-------|------|------|----------------|-----------------|----------|
| 16106 | 16306 | 1 | 4.25 | 3.12 | 0.56 | 0.69 | φ0.625 | 4 | 0.83 |
| 16107 | 16307 | 1 1/4 | 4.62 | 3.50 | 0.62 | 0.81 | φ0.625 | 4 | 1.08 |
| 16108 | 16308 | 1 1/2 | 5.00 | 3.88 | 0.69 | 0.88 | φ0.625 | 4 | 1.32 |
| 16109 | 16309 | 2 | 6.00 | 4.75 | 0.75 | 1.00 | φ0.75 | 4 | 2.15 |
| 16110 | 16310 | 2 1/2 | 7.00 | 5.50 | 0.88 | 1.12 | φ0.75 | 4 | 3.42 |
| 16111 | 16311 | 3 | 7.50 | 6.00 | 0.94 | 1.19 | φ0.75 | 4 | 3.91 |
| 16112 | 16312 | 4 | 9.00 | 7.50 | 0.94 | 1.31 | φ0.75 | 8 | 5.53 |
| 16114 | 16314 | 6 | 11.00 | 9.50 | 1.00 | 1.56 | φ0.875 | 8 | 7.53 |
| 16116 | 16316 | 8 | 13.50 | 11.75 | 1.12 | 1.75 | φ0.875 | 8 | 13.02 |

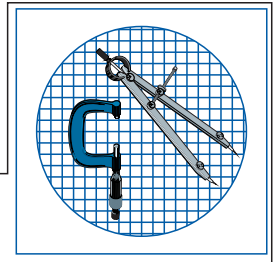
BRIDE COMPAGNON

| | | | | | | | | | |
|-------|-------|-------|-------|-------|------|------|--------|---|-------|
| 16155 | 16355 | 1 1/2 | 6.00 | 5.50 | 0.75 | 1.00 | φ0.75 | 4 | 2.26 |
| 16156 | 16356 | 1 1/2 | 7.50 | 6.00 | 0.94 | 1.19 | φ0.75 | 4 | 4.45 |
| 16159 | 16359 | 2 | 7.00 | 5.50 | 0.88 | 1.12 | φ0.75 | 4 | 3.54 |
| 16160 | 16360 | 2 | 7.50 | 6.00 | 0.94 | 1.19 | φ0.75 | 4 | 4.38 |
| 16161 | 16361 | 2 | 9.00 | 7.50 | 0.94 | 1.31 | φ0.75 | 8 | 6.42 |
| 16162 | 16362 | 2 | 11.00 | 9.50 | 1.00 | 1.56 | φ0.875 | 8 | 10.63 |
| 16164 | 16364 | 2 1/2 | 7.50 | 6.00 | 0.75 | 1.19 | φ0.75 | 4 | 4.20 |
| 16165 | 16365 | 2 1/2 | 9.00 | 7.50 | 0.94 | 1.31 | φ0.75 | 8 | 6.33 |
| 16166 | 16366 | 2 1/2 | 11.00 | 9.50 | 1.00 | 1.56 | φ0.875 | 8 | 10.54 |
| 16167 | 16367 | 3 | 9.00 | 7.50 | 0.94 | 1.31 | φ0.75 | 8 | 6.08 |
| 16169 | 16369 | 3 | 11.00 | 9.50 | 1.00 | 1.56 | φ0.875 | 8 | 10.18 |
| 16172 | 16372 | 4 | 11.00 | 9.50 | 1.00 | 1.56 | φ0.875 | 8 | 9.46 |
| 16173 | 16373 | 4 | 13.50 | 11.75 | 1.12 | 1.75 | φ0.875 | 8 | 17.13 |

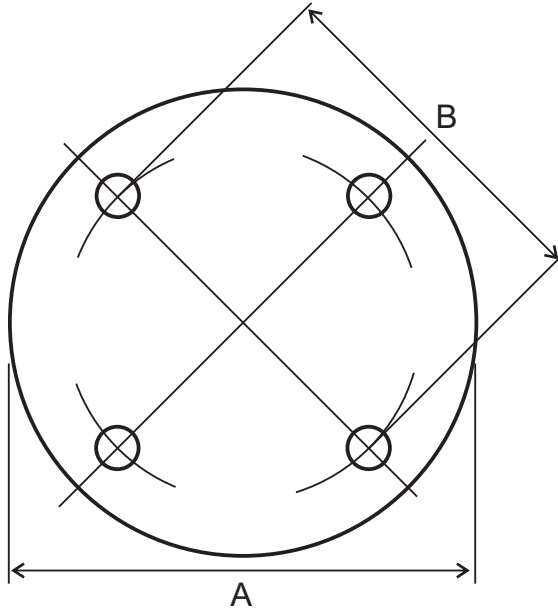
BRIDE COMPAGNON RÉDUITE

**#150
FONTE
DUCTILE**





BRIDE COMPAGNON FONTE DUCTILE

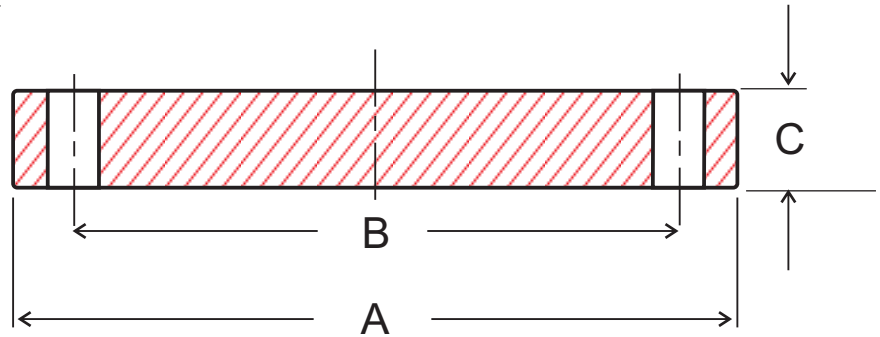


Conforme à :

Matériaux - ASTM A536 grade 65-45-12
 Dimensions - ASME B16.42/AWWA C110
 Enduit - Électrophorétique noir

Spécifications :

Fonte ductile
 Classe #150
 Surface dentelée
 CRN#



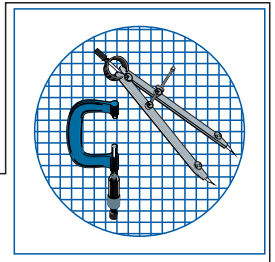
en pouces

BRIDE PLEINE

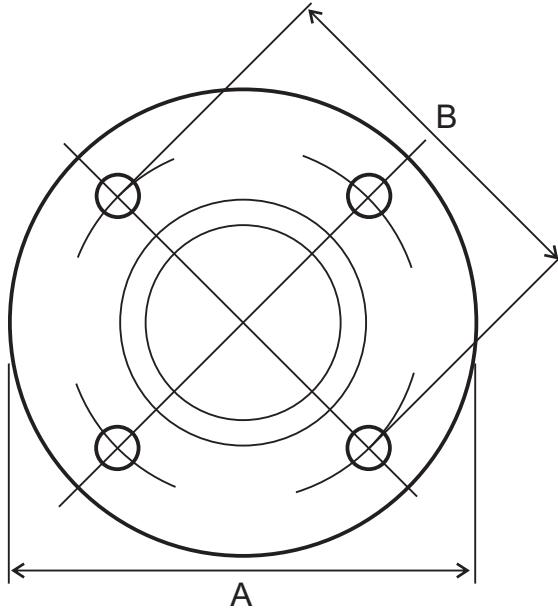
| #BMI noir | Taille | A | B | C | Trou de boulon | Nombre de trous | Poids lb |
|-----------|--------|-------|-------|------|----------------|-----------------|----------|
| 16208 | 1 1/2 | 5.00 | 3.88 | 0.69 | φ0.625 | 4 | 1.47 |
| 16209 | 2 | 6.00 | 4.75 | 0.75 | φ0.75 | 4 | 2.37 |
| 16210 | 2 1/2 | 7.00 | 5.50 | 0.88 | φ0.75 | 4 | 4.23 |
| 16211 | 3 | 7.50 | 6.00 | 0.94 | φ0.75 | 4 | 4.85 |
| 16212 | 4 | 9.00 | 7.50 | 0.94 | φ0.75 | 8 | 6.53 |
| 16214 | 6 | 11.00 | 9.50 | 1.00 | φ0.875 | 8 | 10.81 |
| 16216 | 8 | 13.50 | 11.75 | 1.12 | φ0.875 | 8 | 18.63 |

#150 FONTE DUCTILE





BRIDE COMPAGNON FONTE DUCTILE

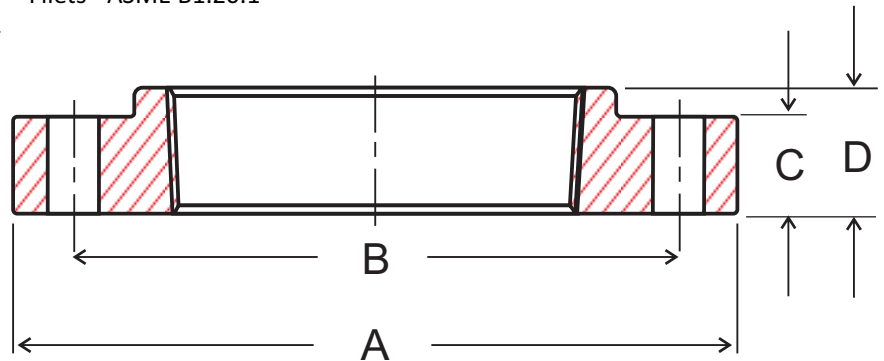


Conforme à :

Matériaux - ASTM A536 grade 65-45-12
 Dimensions - ASME B16.42/AWWA C110
 Enduit - Électrophorétique noir
 Enduit - Galvanisé à chaud ASTM A153
 Filets - ASME B1.20.1

Spécifications :

Fonte ductile
 Classe #150
 Surface dentelée
 CRN#



en mm

| #BMI noir | #BMI galv. | Taille du filet | A | B | C | D | Trou de boulon | Nombre de trous | Poids Kg |
|-----------|------------|-----------------|-------|-------|------|------|----------------|-----------------|----------|
| 16106 | 16306 | 1 | 108.0 | 79.2 | 14.2 | 17.5 | φ15.9 | 4 | 0.38 |
| 16107 | 16307 | 1 1/4 | 117.3 | 88.9 | 15.7 | 20.6 | φ15.9 | 4 | 0.49 |
| 16108 | 16308 | 1 1/2 | 127.0 | 98.6 | 17.5 | 22.4 | φ15.9 | 4 | 0.60 |
| 16109 | 16309 | 2 | 152.4 | 120.7 | 19.1 | 25.4 | φ19.0 | 4 | 0.97 |
| 16110 | 16310 | 2 1/2 | 177.8 | 139.7 | 22.4 | 28.4 | φ19.0 | 4 | 1.55 |
| 16111 | 16311 | 3 | 190.5 | 152.4 | 23.9 | 30.2 | φ19.0 | 4 | 1.77 |
| 16112 | 16312 | 4 | 228.6 | 190.5 | 23.9 | 33.3 | φ19.0 | 8 | 2.51 |
| 16114 | 16314 | 6 | 279.4 | 241.3 | 25.4 | 39.6 | φ22.2 | 8 | 3.42 |
| 16116 | 16316 | 8 | 342.9 | 298.5 | 28.4 | 44.5 | φ22.2 | 8 | 5.91 |

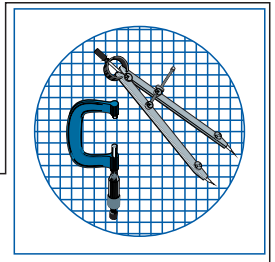
BRIDE COMPAGNON

| | | | | | | | | | |
|-------|-------|-------|-------|-------|------|------|-------|---|------|
| 16155 | 16355 | 1 1/2 | 152.4 | 139.7 | 19.1 | 25.4 | φ19.0 | 4 | 1.02 |
| 16156 | 16356 | 1 1/2 | 190.5 | 152.4 | 23.9 | 30.2 | φ19.0 | 4 | 2.02 |
| 16159 | 16359 | 2 | 177.8 | 139.7 | 22.4 | 28.4 | φ19.0 | 4 | 1.60 |
| 16160 | 16360 | 2 | 190.5 | 152.4 | 23.9 | 30.2 | φ19.0 | 4 | 1.99 |
| 16161 | 16361 | 2 | 228.6 | 190.5 | 23.9 | 33.3 | φ19.0 | 8 | 2.91 |
| 16162 | 16362 | 2 | 279.4 | 241.3 | 25.4 | 39.6 | φ22.2 | 8 | 4.83 |
| 16164 | 16364 | 2 1/2 | 190.5 | 152.4 | 19.1 | 30.2 | φ19.0 | 4 | 1.91 |
| 16165 | 16365 | 2 1/2 | 228.6 | 190.5 | 23.9 | 33.3 | φ19.0 | 8 | 2.87 |
| 16166 | 16366 | 2 1/2 | 279.4 | 241.3 | 25.4 | 39.6 | φ22.2 | 8 | 4.78 |
| 16167 | 16367 | 3 | 228.6 | 190.5 | 23.9 | 33.3 | φ19.0 | 8 | 2.76 |
| 16169 | 16369 | 3 | 279.4 | 241.3 | 25.4 | 39.6 | φ22.2 | 8 | 4.62 |
| 16172 | 16372 | 4 | 279.4 | 241.3 | 25.4 | 39.6 | φ22.2 | 8 | 4.29 |
| 16173 | 16373 | 4 | 342.9 | 298.5 | 28.4 | 44.5 | φ22.2 | 8 | 7.77 |

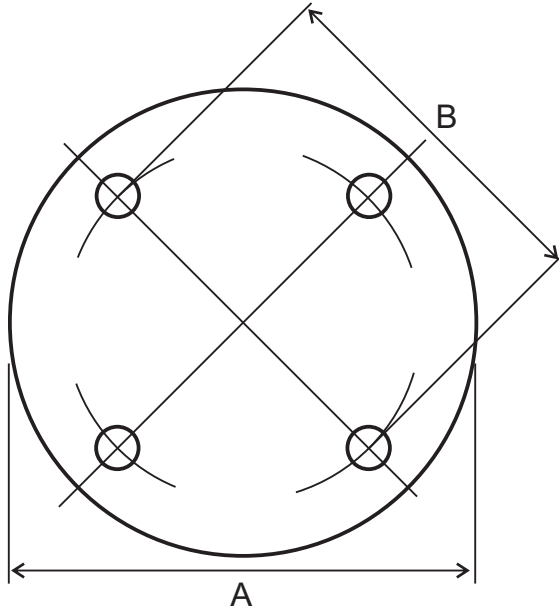
BRIDE COMPAGNON RÉDUITE

**#150
FONTE
DUCTILE**





BRIDE COMPAGNON FONTE DUCTILE

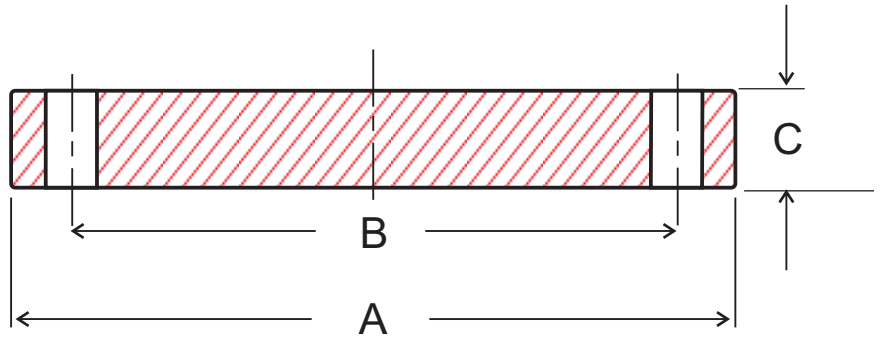


Conforme à :

Matériaux - ASTM A536 grade 65-45-12
 Dimensions - ASME B16.42/AWWA C110
 Enduit - Électrophorétique noir

Spécifications :

Fonte ductile
 Classe #150
 Surface dentelée
 CRN#



en mm

| #BMI noir | Taille | A | B | C | Trou de boulon | Nombre de trous | Poids Kg |
|-----------|--------|-------|-------|------|----------------|-----------------|----------|
| 16208 | 1 1/2 | 127.0 | 98.6 | 17.5 | φ15.9 | 4 | 0.66 |
| 16209 | 2 | 152.4 | 120.7 | 19.1 | φ19.0 | 4 | 1.08 |
| 16210 | 2 1/2 | 177.8 | 139.7 | 22.4 | φ19.0 | 4 | 1.92 |
| 16211 | 3 | 190.5 | 152.4 | 23.9 | φ19.0 | 4 | 2.20 |
| 16212 | 4 | 228.6 | 190.5 | 23.9 | φ19.0 | 8 | 2.96 |
| 16214 | 6 | 279.4 | 241.3 | 25.4 | φ22.2 | 8 | 4.91 |
| 16216 | 8 | 342.9 | 298.5 | 28.4 | φ22.2 | 8 | 8.45 |

BRIDE PLEINE

#150 FONTE DUCTILE

