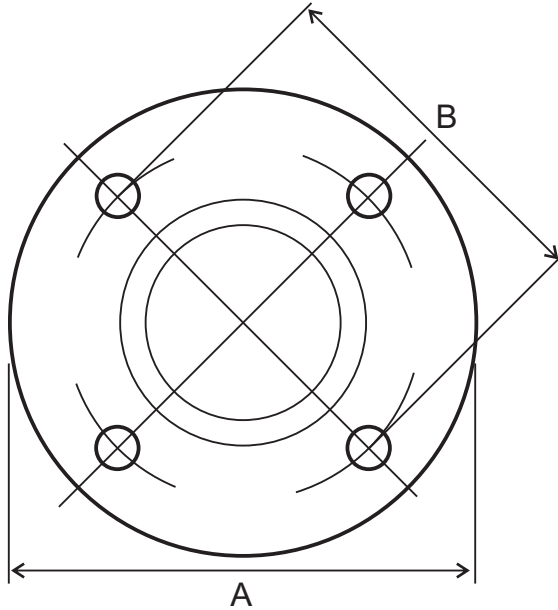


# DUCTILE IRON COMPANION FLANGES

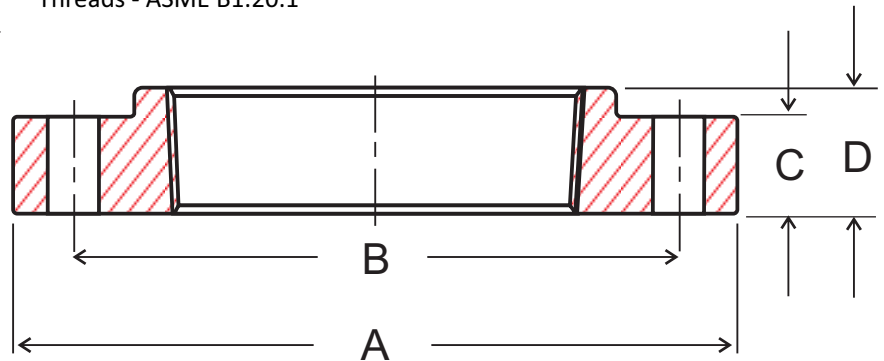


**Complies with:**

Material - ASTM A536 Grade 65-45-12  
 Dimensions - ASME B16.42/AWWA C110  
 Coating - Black Electrophoretic  
 Coating - Hot Dip Galvanized ASTM A153  
 Threads - ASME B1.20.1

**Specifications:**

Ductile Iron  
 Class #150  
 Serrated Face  
 CRN#



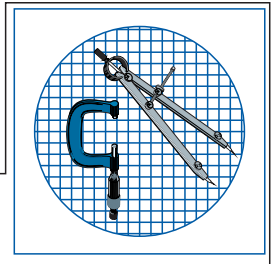
in inches

COMPANION FLANGE	BMI#	BMI#	Thread	A	B	C	D	Bolt Hole	Number	Wgt Lbs
	Black	Galv.	Size					Size	of Bolt	
	16106	16306	1	4.25	3.12	0.56	0.69	φ0.625	4	0.83
	16107	16307	1 1/4	4.62	3.50	0.62	0.81	φ0.625	4	1.08
	16108	16308	1 1/2	5.00	3.88	0.69	0.88	φ0.625	4	1.32
	16109	16309	2	6.00	4.75	0.75	1.00	φ0.75	4	2.15
	16110	16310	2 1/2	7.00	5.50	0.88	1.12	φ0.75	4	3.42
	16111	16311	3	7.50	6.00	0.94	1.19	φ0.75	4	3.91
	16112	16312	4	9.00	7.50	0.94	1.31	φ0.75	8	5.53
	16114	16314	6	11.00	9.50	1.00	1.56	φ0.875	8	7.53
	16116	16316	8	13.50	11.75	1.12	1.75	φ0.875	8	13.02

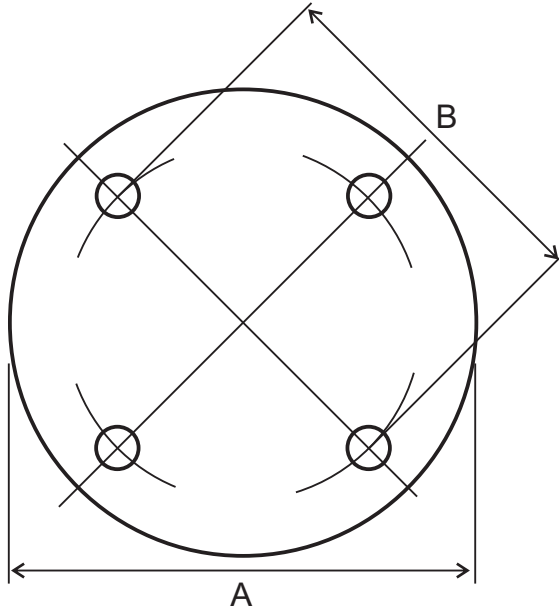
REDUCING COMPANION FLANGE	BMI#	BMI#	Thread	A	B	C	D	Bolt Hole	Number	Wgt Lbs
	Black	Galv.	Size					Size	of Bolt	
	16155	16355	1 1/2	6.00	5.50	0.75	1.00	φ0.75	4	2.26
	16156	16356	1 1/2	7.50	6.00	0.94	1.19	φ0.75	4	4.45
	16159	16359	2	7.00	5.50	0.88	1.12	φ0.75	4	3.54
	16160	16360	2	7.50	6.00	0.94	1.19	φ0.75	4	4.38
	16161	16361	2	9.00	7.50	0.94	1.31	φ0.75	8	6.42
	16162	16362	2	11.00	9.50	1.00	1.56	φ0.875	8	10.63
	16164	16364	2 1/2	7.50	6.00	0.75	1.19	φ0.75	4	4.20
	16165	16365	2 1/2	9.00	7.50	0.94	1.31	φ0.75	8	6.33
	16166	16366	2 1/2	11.00	9.50	1.00	1.56	φ0.875	8	10.54
	16167	16367	3	9.00	7.50	0.94	1.31	φ0.75	8	6.08
	16169	16369	3	11.00	9.50	1.00	1.56	φ0.875	8	10.18
	16172	16372	4	11.00	9.50	1.00	1.56	φ0.875	8	9.46
	16173	16373	4	13.50	11.75	1.12	1.75	φ0.875	8	17.13

**#150  
DUCTILE  
IRON**





# DUCTILE IRON COMPANION FLANGES

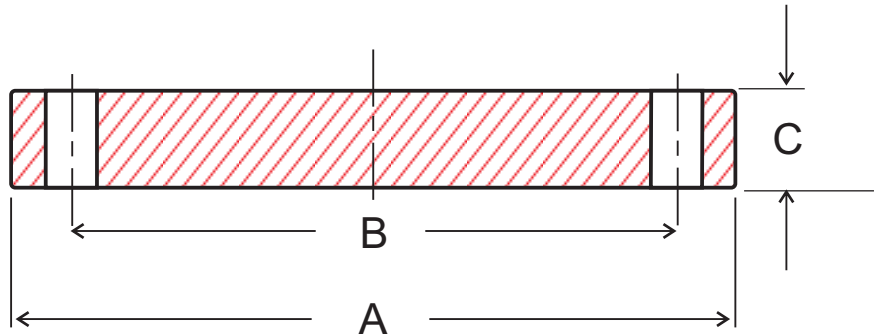


**Complies with:**

Material - ASTM A536 Grade 65-45-12  
 Dimensions - ASME B16.42/AWWA C110  
 Coating - Black Electrophoretic

**Specifications:**

Ductile Iron  
 Class #150  
 Serrated Face  
 CRN#



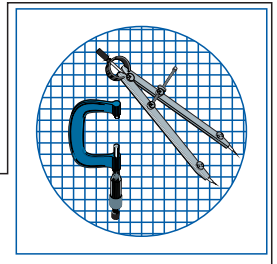
in inches

BMI# Black	Size	A	B	C	Bolt Hole Size	Number of Bolt Holes	Wgt Lbs
16208	1 1/2	5.00	3.88	0.69	φ0.625	4	1.47
16209	2	6.00	4.75	0.75	φ0.75	4	2.37
16210	2 1/2	7.00	5.50	0.88	φ0.75	4	4.23
16211	3	7.50	6.00	0.94	φ0.75	4	4.85
16212	4	9.00	7.50	0.94	φ0.75	8	6.53
16214	6	11.00	9.50	1.00	φ0.875	8	10.81
16216	8	13.50	11.75	1.12	φ0.875	8	18.63

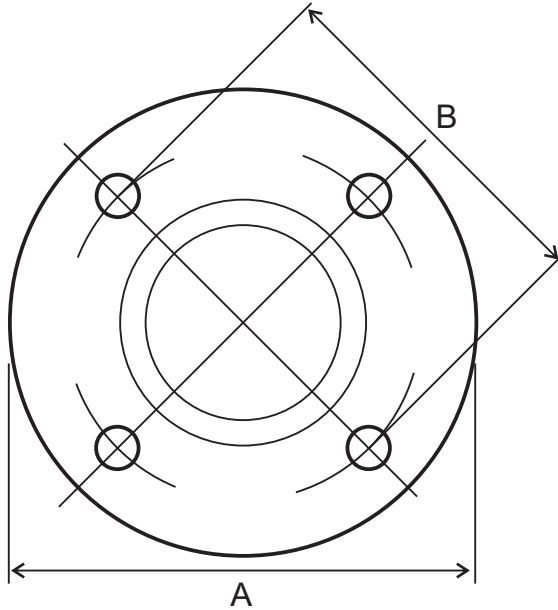
BLIND FLANGE

## #150 DUCTILE IRON





# DUCTILE IRON COMPANION FLANGES

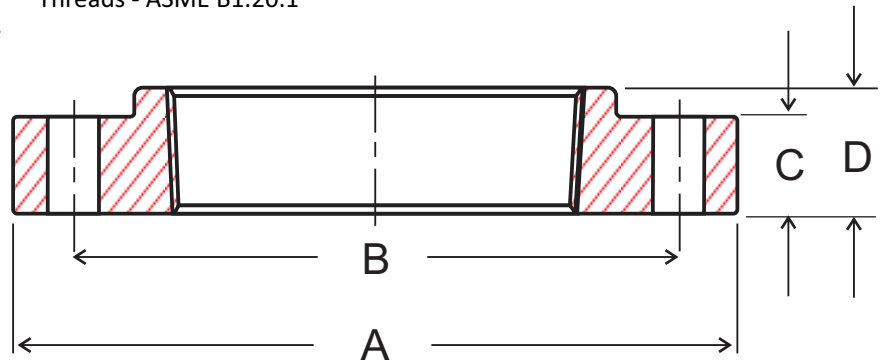


**Complies with:**

Material - ASTM A536 Grade 65-45-12  
 Dimensions - ASME B16.42/AWWA C110  
 Coating - Black Electrophoretic  
 Coating - Hot Dip Galvanized ASTM A153  
 Threads - ASME B1.20.1

**Specifications:**

Ductile Iron  
 Class #150  
 Serrated Face  
 CRN#



in mm

**COMPANION FLANGE**

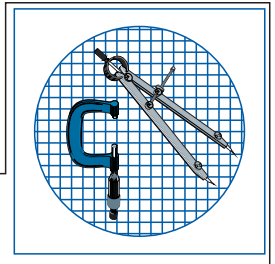
BMI# Black	BMI# Galv.	Thread Size	A	B	C	D	Bolt Hole Size	Number of Bolt Holes	Wgt Kg
16106	16306	1	108,0	79,2	14,2	17,5	φ15.9	4	0,38
16107	16307	1 1/4	117,3	88,9	15,7	20,6	φ15.9	4	0,49
16108	16308	1 1/2	127,0	98,6	17,5	22,4	φ15.9	4	0,60
16109	16309	2	152,4	120,7	19,1	25,4	φ19.0	4	0,97
16110	16310	2 1/2	177,8	139,7	22,4	28,4	φ19.0	4	1,55
16111	16311	3	190,5	152,4	23,9	30,2	φ19.0	4	1,77
16112	16312	4	228,6	190,5	23,9	33,3	φ19.0	8	2,51
16114	16314	6	279,4	241,3	25,4	39,6	φ22.2	8	3,42
16116	16316	8	342,9	298,5	28,4	44,5	φ22.2	8	5,91

**REDUCING COMPANION FLANGE**

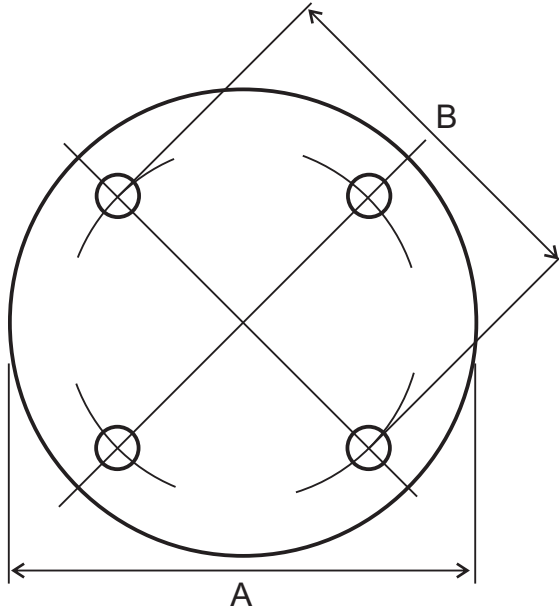
16155	16355	1 1/2	152,4	139,7	19,1	25,4	φ19.0	4	1,02
16156	16356	1 1/2	190,5	152,4	23,9	30,2	φ19.0	4	2,02
16159	16359	2	177,8	139,7	22,4	28,4	φ19.0	4	1,60
16160	16360	2	190,5	152,4	23,9	30,2	φ19.0	4	1,99
16161	16361	2	228,6	190,5	23,9	33,3	φ19.0	8	2,91
16162	16362	2	279,4	241,3	25,4	39,6	φ22.2	8	4,83
16164	16364	2 1/2	190,5	152,4	19,1	30,2	φ19.0	4	1,91
16165	16365	2 1/2	228,6	190,5	23,9	33,3	φ19.0	8	2,87
16166	16366	2 1/2	279,4	241,3	25,4	39,6	φ22.2	8	4,78
16167	16367	3	228,6	190,5	23,9	33,3	φ19.0	8	2,76
16169	16369	3	279,4	241,3	25,4	39,6	φ22.2	8	4,62
16172	16372	4	279,4	241,3	25,4	39,6	φ22.2	8	4,29
16173	16373	4	342,9	298,5	28,4	44,5	φ22.2	8	7,77

**#150  
DUCTILE  
IRON**





# DUCTILE IRON COMPANION FLANGES

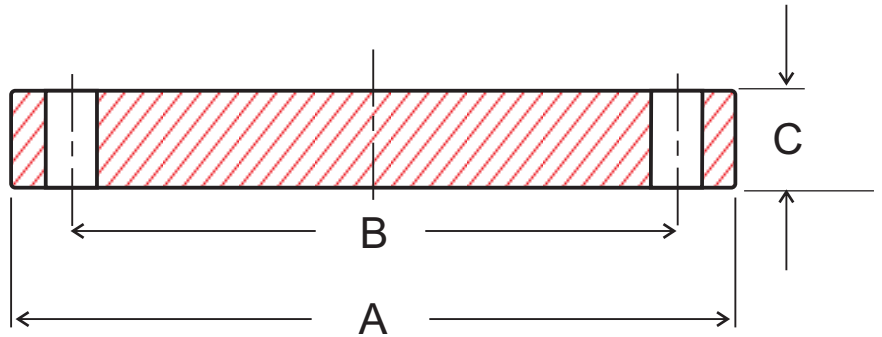


**Complies with:**

Material - ASTM A536 Grade 65-45-12  
 Dimensions - ASME B16.42/AWWA C110  
 Coating - Black Electrophoretic

**Specifications:**

Ductile Iron  
 Class #150  
 Serrated Face  
 CRN#



in mm

BMI# Black	Thread Size	A	B	C	Bolt Hole Size	Number of Bolt Holes	Wgt Kg
16208	1 1/2	127.0	98.6	17.5	φ15.9	4	0.66
16209	2	152.4	120.7	19.1	φ19.0	4	1.08
16210	2 1/2	177.8	139.7	22.4	φ19.0	4	1.92
16211	3	190.5	152.4	23.9	φ19.0	4	2.20
16212	4	228.6	190.5	23.9	φ19.0	8	2.96
16214	6	279.4	241.3	25.4	φ22.2	8	4.91
16216	8	342.9	298.5	28.4	φ22.2	8	8.45

BLIND FLANGE

## #150 DUCTILE IRON

