

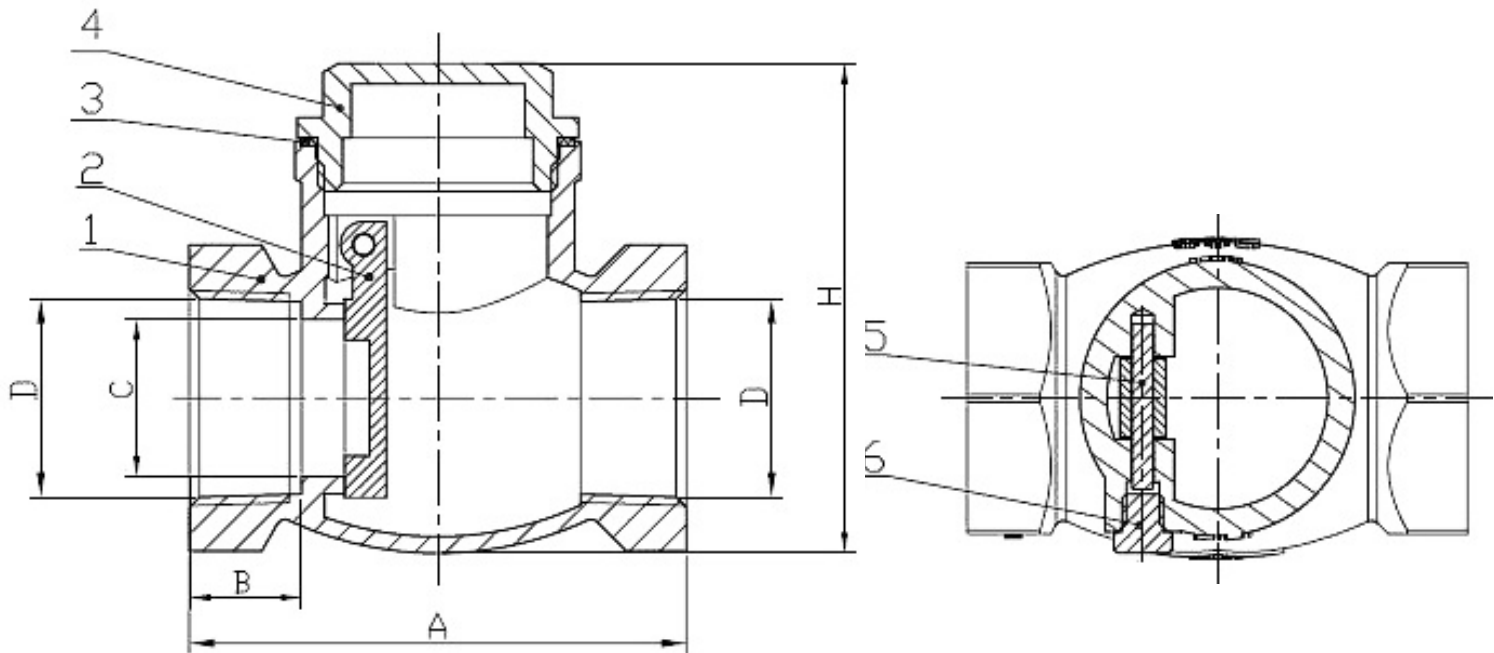
# BRASS THREADED SWING CHECK VALVES

## Specifications

- Forged brass
- 200 CWP, 200 psi / 13.8 Bar, non-shock
- Temperature range from -4 °F to 302 °F (-20 °C to 150 °C)
- Rated for: water, non-corrosive liquid & saturated steam
- Threaded ends: ANSI B1.20.1
- Brass to brass sealing
- Horizontal use only

### Note:

This product is not suitable for a drinking water installation.

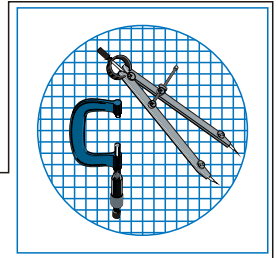


BMI#	Size	C		B		A		H	
14304	1/2"	1.3	0.51	1.2	0.47	5.3	2.09	5.1	2.00
14305	3/4"	1.8	0.71	1.4	0.57	5.9	2.32	5.7	2.26
14306	1"	2.2	0.87	1.7	0.67	6.8	2.66	6.6	2.58
14307	1 1/4"	2.8	1.10	1.8	0.69	7.9	3.11	7.7	3.05
14308	1 1/2"	3.2	1.26	1.8	0.71	9.1	3.60	8.8	3.48
14309	2"	4.2	1.65	1.8	0.71	9.4	3.70	10.1	3.97
14310	2 1/2"	5.0	1.97	2.1	0.83	10.6	4.17	12.2	4.80
14311	3"	6.2	2.44	2.7	1.06	13.2	5.20	14.4	5.67
14312	4"	8.5	3.35	2.8	1.10	17.4	6.85	18.0	7.09

cm/inchs

## List of Materials

#	Part	Material
1	Body	Brass
2	Disc	Brass
3	Gasket	PTFE
4	Bonnet	Brass
5	Pin	Brass
6	Screw	Brass



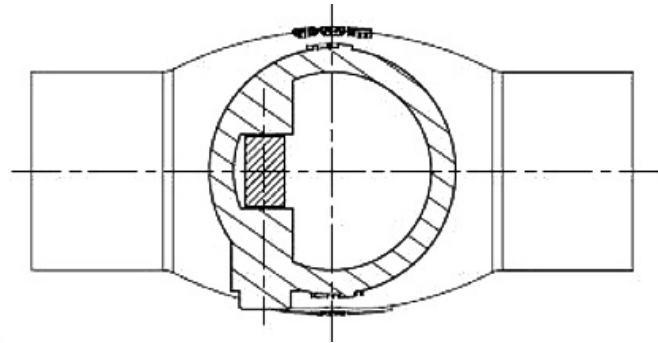
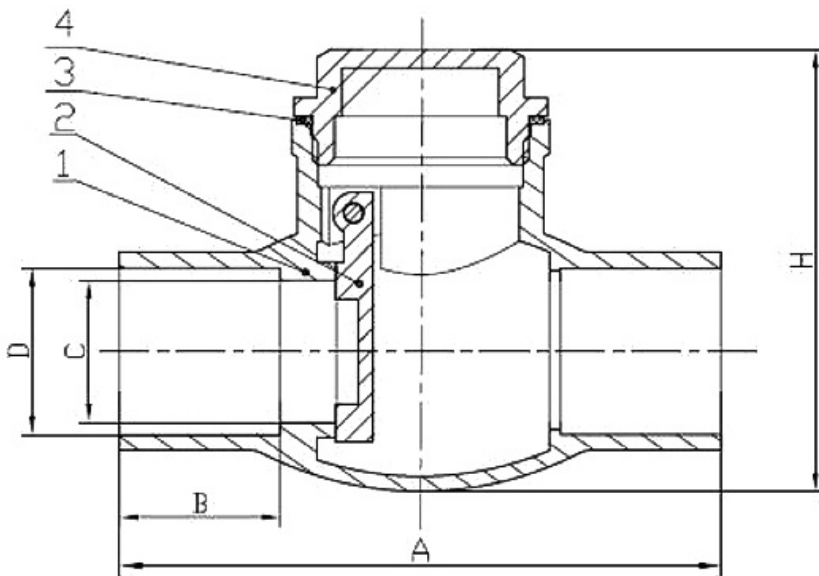
# BRASS SOLDER ENDS SWING CHECK VALVES

## Specifications

- Forged brass
- 200 CWP, 200 psi / 13.8 Bar, non-shock
- Temperature range from -4 °F to 302 °F (-20 °C to 150 °C)
- Rated for: water, non-corrosive liquid & saturated steam
- Solder ends: ANSI B16.18
- Brass to brass sealing
- Horizontal use only

**Note:**

This product is not suitable for a drinking water installation.



BMI#	Size	D		C		B		A		H	
14404	1/2"	1.6	0.6	1.3	0.5	1.9	0.8	6.2	2.4	5.0	2.0
14405	3/4"	2.2	0.9	1.6	0.6	2.3	0.9	7.7	3.1	5.7	2.2
14406	1"	2.9	1.1	2.2	0.9	2.3	0.9	8.2	3.2	6.6	2.6
14407	1 1/4"	3.5	1.4	2.8	1.1	2.4	0.9	9.9	3.9	7.7	3.1
14408	1 1/2"	4.1	1.6	3.2	1.3	2.7	1.1	10.8	4.3	8.3	3.3
14409	2"	5.4	2.1	4.2	1.7	3.3	1.3	12.8	5.0	10.4	4.1

cm/inchs

## List of Materials

#	Part	Material
1	Body	Brass
2	Disc	Brass
3	Gasket	PTFE
4	Bonnet	Brass