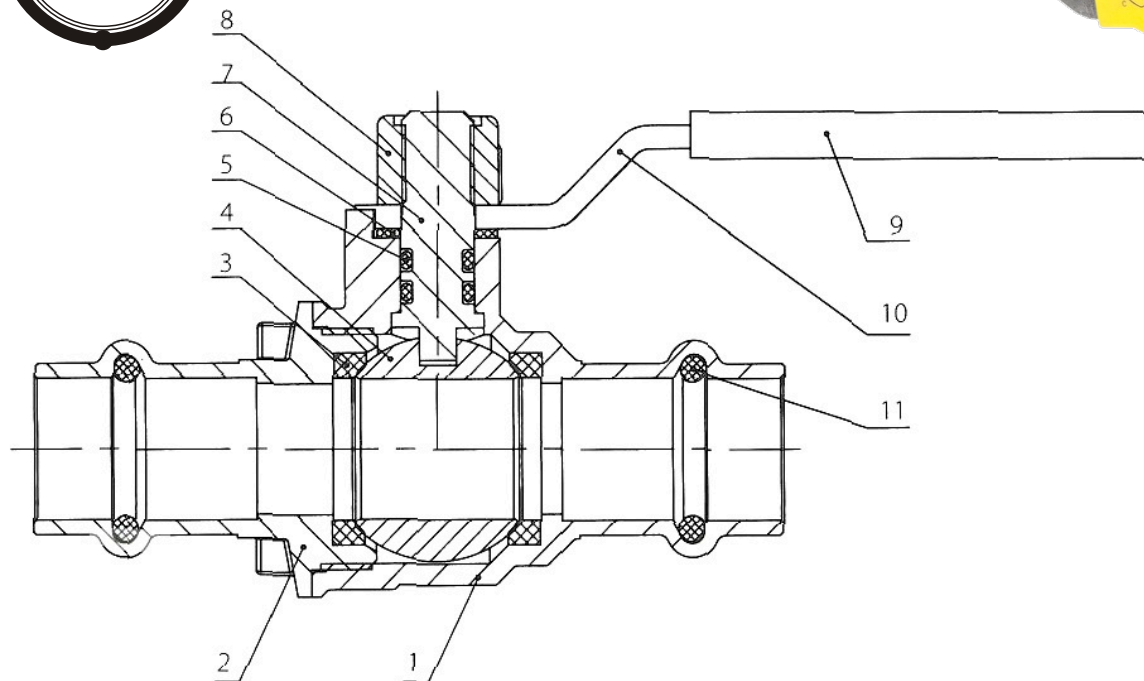
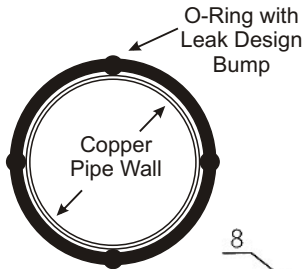


# BRASS PRESS-FIT BALL VALVES



Leak Detection Design



#BMI	SIZE
13514	1/2"
13515	3/4"
13516	1"
13517	1 1/4"
13518	1 1/2"
13519	2"

## Specifications

- Forged DZR Lead free Brass
- Maximum working pressure 250 psi
- Maximum working temperature 230 °F (110 °C)
- Blow-out proof stem assembly
- Compatible with all major press tools
- High corrosion resistance 'Dacromet' treated handle

## Certifications by

IAPMO, Comply with cUPC, NSF/ANSI Standard 61 and 372-2010, IAPMO, PS 117-2016

## Technology

Unique O-Ring design that will show leakage to any connection that has not been pressed

## List of Materials

#	Part	Material
1	Body	C46500
2	Bonnet	C46500
3	Seat	PTFE
4	Ball	C46500
5	O-Ring	EPDM
6	Washer	PTFE
7	Stem	C46500
8	Self-lock Nut	SS304
9	Sleeve	PP
10	Handle	Steel
11	O-Ring	EPDM