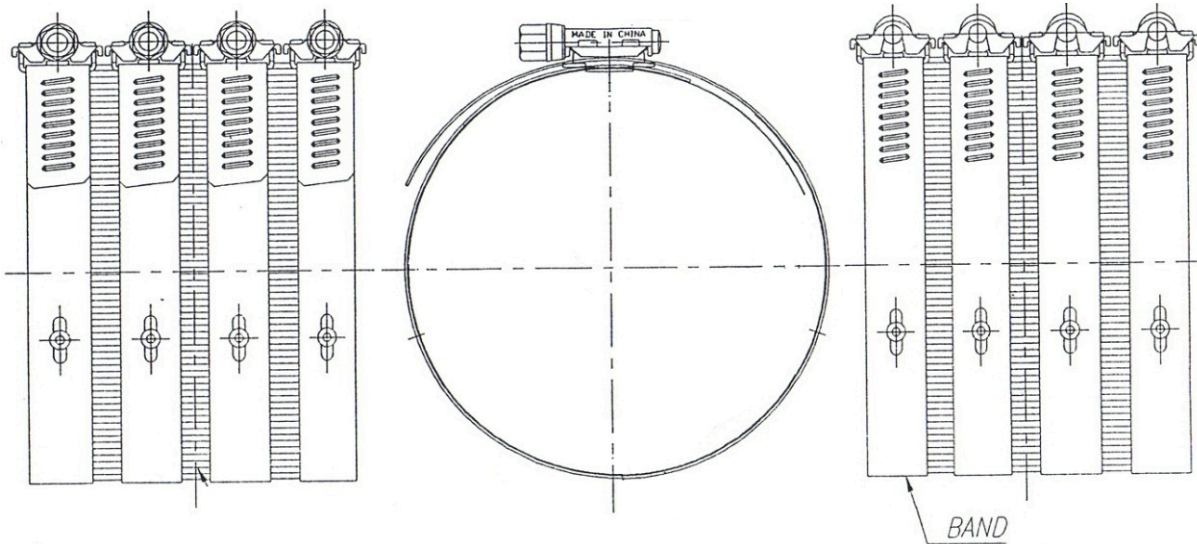
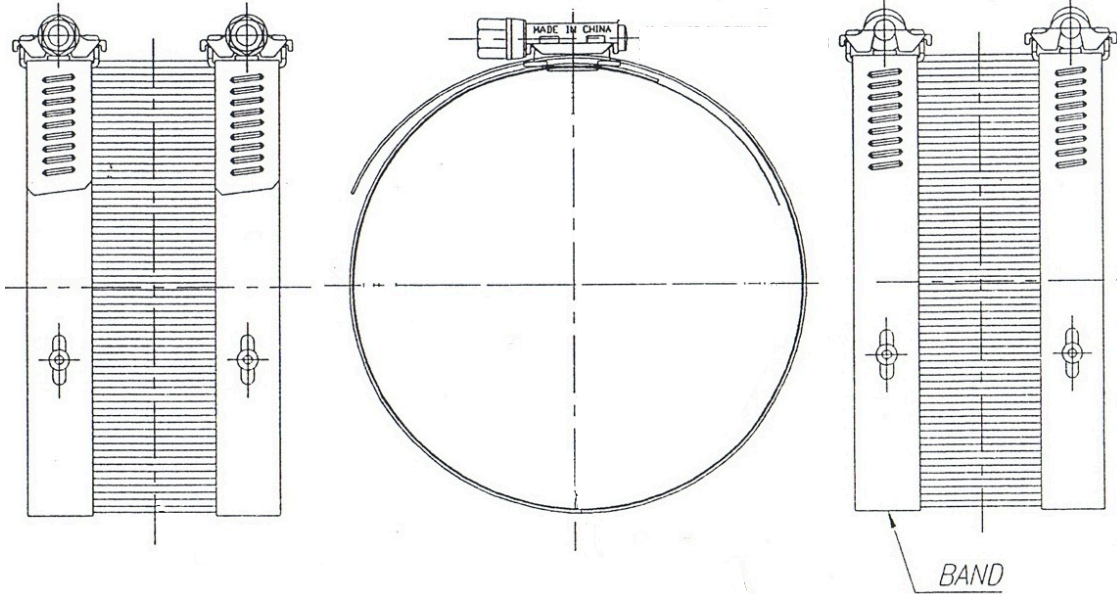


NO-HUB COUPLINGS

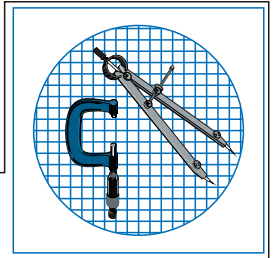


LIST OF MATERIALS				
PART	REGULAR DUTY		EXTRA HEAVY DUTY	
	GAUGE	MATERIAL	GAUGE	MATERIAL
SCREW HOUSING	0.034"	301 AISI S.S.	0.034"	304 AISI S.S.
SCREW	5/16" HEX.	305 AISI S.S.	3/8" HEX.	305 AISI S.S.
SHIELD	.007"	301 AISI S.S.	.008"	304 AISI S.S.
BAND	0.024"	301 AISI S.S.	0.024"	304 AISI S.S.
RIVET		301 AISI S.S.		304 AISI S.S.
GASKET	0.094"	ASTM C-564	0.094"	ASTM C-564

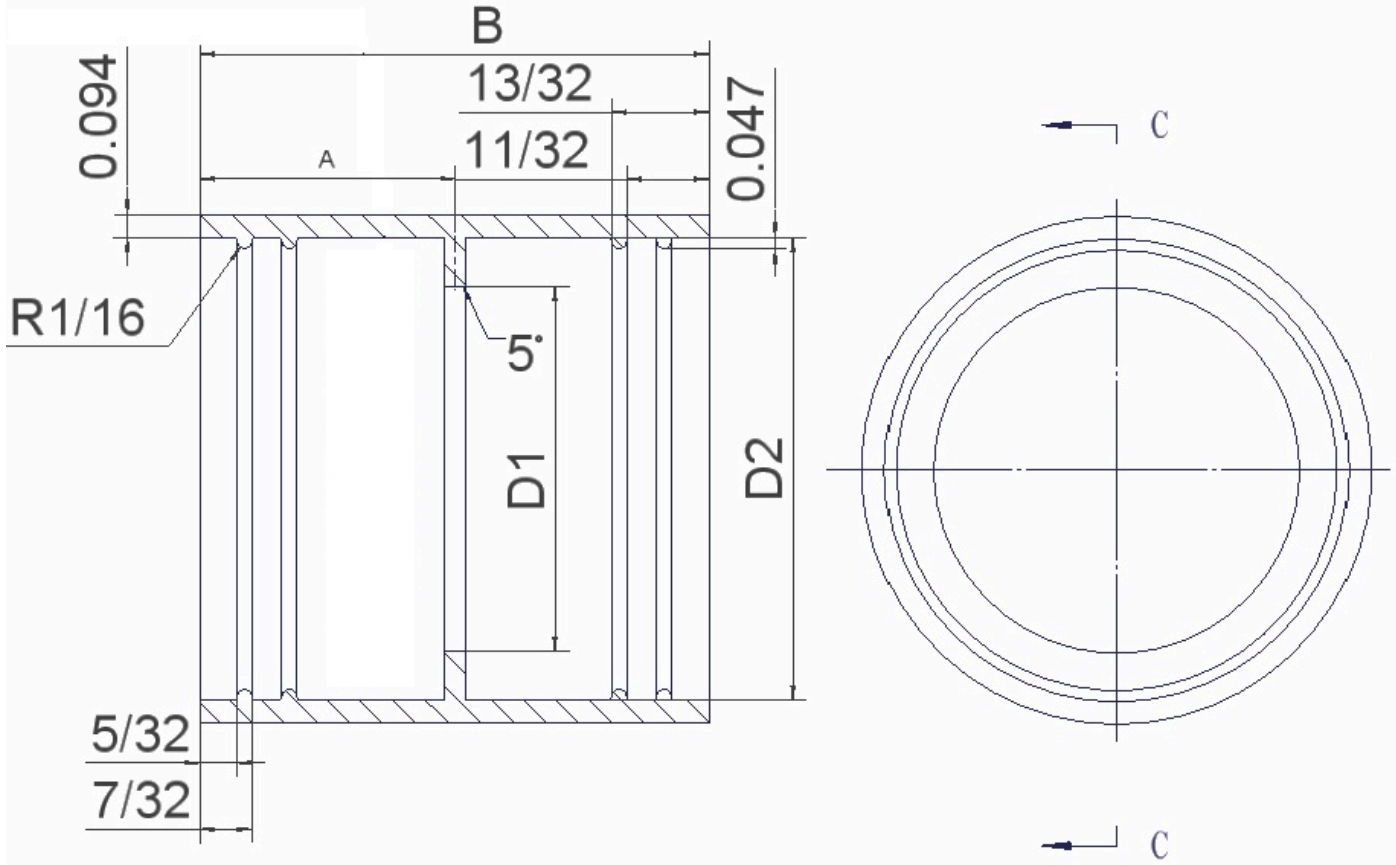
Complies with:



ASME/ASTM C564
 ASME/ASTM C1540
 CAN/CSA B602-05
 CISPI 310 - 97
 CAN/ULC-S102



NO-HUB COUPLINGS



STANDARD DUTY NO-HUB COUPLINGS, DIMENSIONS AND INFORMATIONS (inches)											
SIZE	1 1/2"	2"	3"	4"	5"	6"	8"	10"	12"	2" x 1 1/2"	3" x 2"
BMI#	18908	18909	18911	18912	18913	18914	18918	18919	18920	18940	18952
A	1.062	1.062	1.062	1.062	1.500	1.500	2.000	2.000	2.000	1.062	1.062
B	2.125	2.125	2.125	2.125	3.000	3.000	4.000	4.000	4.000	2.125	2.125
D1	1.531	1.968	2.968	4.000	4.968	5.968	7.968	9.975	11.975	2.343	3.343
D2	1.937	2.343	3.343	4.406	5.343	6.343	8.343	10.350	12.350	1.937	2.343
BAND QTY	2	2	2	2	4	4	4	4	4	2	2
INST. TORQUE	60 psi	60 psi	60 psi	60 psi	60 psi	60 psi	60 psi	60 psi	60 psi	60 psi	60 psi

HEAVY DUTY NO-HUB COUPLINGS, DIMENSIONS AND INFORMATIONS (inches)								
SIZE		2"	3"	4"	5"	6"	8"	10"
BMI#		18969	18971	18972	18973	18974	18975	18976
A		1.500	1.500	1.500	2.000	2.000	2.000	2.000
B		3.000	3.000	3.000	4.000	4.000	4.000	4.000
D1		1.968	2.968	4.000	4.968	5.968	7.968	9.975
D2		2.343	3.343	4.406	5.343	6.343	8.343	10.350
BAND QTY		4	4	4	6	6	6	6
INST. TORQUE		80 psi	80 psi	80 psi	80 psi	80 psi	80 psi	80 psi

Complies with:



ASME/ASTM C564
ASME/ASTM C1540
CAN/CSA B602-05
CISPI 310 - 97
CAN/ULC-S102