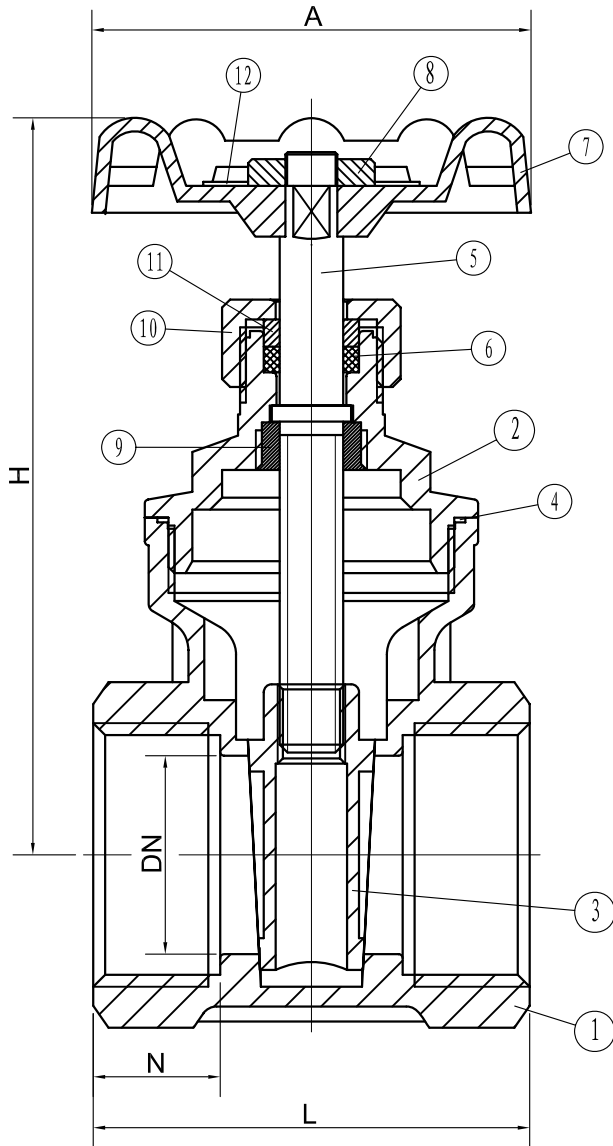
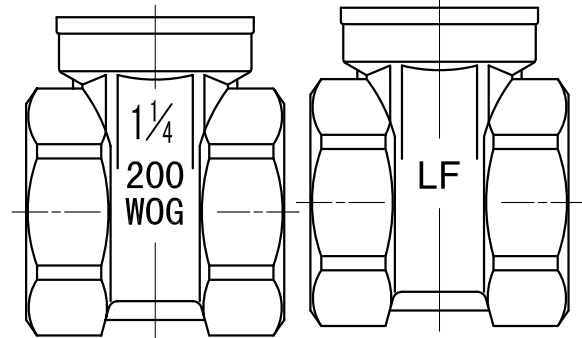


LEAD FREE BRASS THREADED GATE VALVES



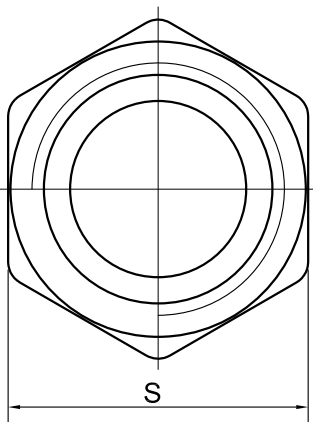
Specifications

- Cast lead free brass
- 200 CWP, 200 psi/13.8 bar, non shock
- Temperature range from -4 °F to 302 °F (-20 °C to 150 °C)
- Rated for: water, noncorrosive liquids and saturated steam
- Threaded ends: ANSI B1.20.1



List of Parts and Materials

#	Part	Material
1	Body	Brass C46400
2	Bonnet	Brass C46400
3	Gate	Brass C46400
4	Bonnet Gasket	PTFE
5	Stem	Brass C46400
6	Stem Gasket	PTFE
7	Handle	Cast AL
8	Nut	Steel Q235
9	Stem Washer	Brass C46400
10	Gland Nut	Brass HPb58-3
11	Lock Cap	Brass HPb58-3
12	Nameplate	AL Sheet



	BMI #	Lbs	L	H	DN	N	A	S
1/2"	14124	0.51	1.61	2.83	0.02	0.45	2.09	0.98
3/4"	14125	0.62	1.69	2.99	0.51	0.49	2.09	1.20
1"	14126	0.90	2.01	3.35	0.59	0.59	2.28	1.48
1 1/4"	14127	1.34	2.17	3.90	0.79	0.63	2.83	1.83
1 1/2"	14128	1.65	2.17	4.37	0.98	0.61	2.83	2.05
2"	14129	2.76	2.56	5.28	1.26	0.69	3.07	2.54
2 1/2"	14130	5.29	3.27	6.73	1.73	0.89	3.78	3.15
3"	14131	7.49	3.78	7.72	2.22	1.08	4.25	3.78
4"	14132	11.90	4.06	9.06	2.72	1.10	5.04	4.76