

THREADED BRASS BALL VALVES

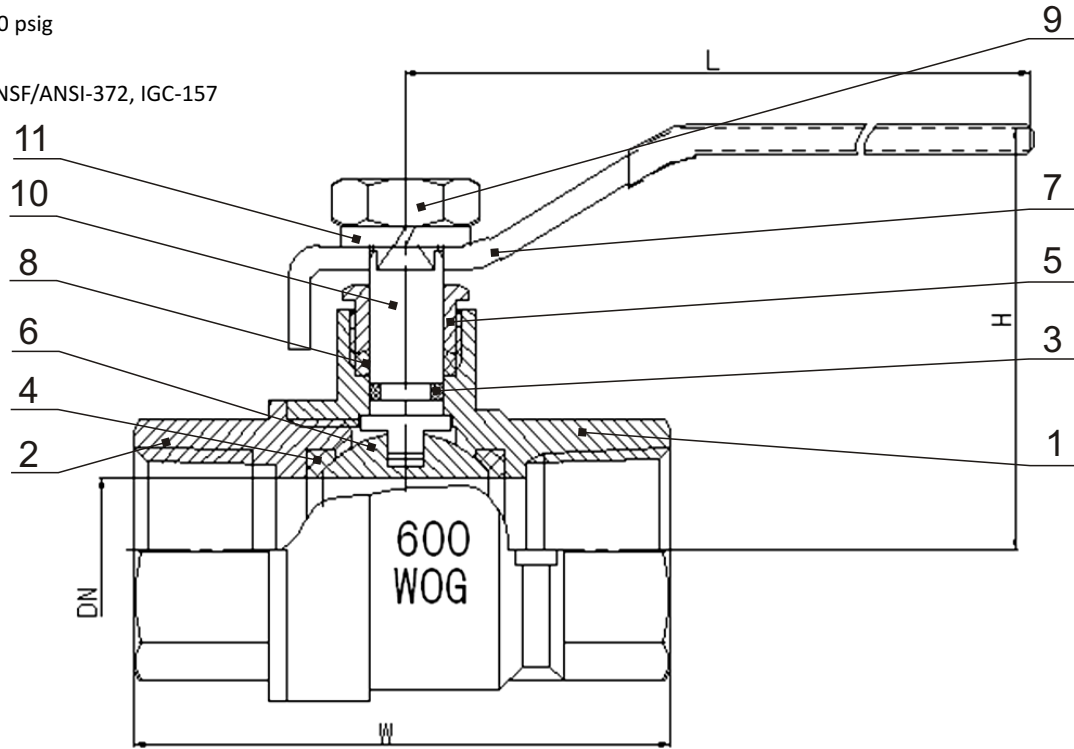


Complies with:

- CSA:**
 1/4"-4" per ANSI Z21.15/CSA 9.1 for 1/2 psig
 1/4"-4" per ASME B16.44/CR91-002 for 5 psig
 1/4"-2" per CGA3.16 for 125 psig
 1/2"-2" per ASME B16.33 for 125 psig
 2 1/2"-4" per ASME B16.38/CGA3.16 for 125 psig
- UL:**
 1/4"-4" UL 842 (Guide YRBX, MHKZ)
 1/4"-4" UL 125 (Guide YSDT, YRPV)
 1/4"-4" UL 1477 (Guide YQNZ)
- FM:**
 1/4"-2" per FM1140 for 600 psig
- IAPMO:**
 1/4"-4" per NSF/ANSI-61, NSF/ANSI-372, IGC-157

Specifications:

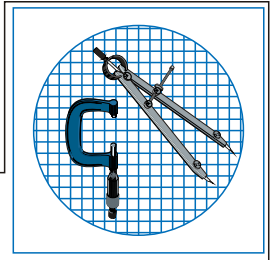
- DZR (Dezincification resistant) forged brass
- 600 psi, non-shock CWP
- 150 psi, non-shock SWP
- Temperature range from -20 °F to 300 °F (-29 °C to 149 °C)
- Blow out proof packing gland & O-ring on stem combo mode
- Threaded ends: ANSI B1.20.1
- Handle with vinyl grip



List of Materials

#	Part	Material	
		Reg. Brass	Lead Free
1	Body	C37700	C46500
2	Bonnet	C37700	C46500
3	O-ring	NBR	NBR
4	Seat	PTFE	PTFE
5	Packing nut	C36000	C36000
6	Ball	S.S. SUS 304	S.S. SUS 304
7	Handle	Steel/Chrome	Steel/Chrome
8	Packing	PTFE	PTFE
9	Nut	Steel/Zinc	Steel/Zinc
10	Stem	S.S. SUS 304	S.S. SUS 304
11	Washer	Steel/Zinc	Steel/Zinc

Reg. Brass	Lead Free	Size	DN	L	H	W	Lbs
13802	13102	1/4"	0.394	3.46	1.68	1.73	0.31
13803	13103	3/8"	0.394	3.46	1.68	1.75	0.30
13804	13104	1/2"	0.591	3.46	1.81	2.24	0.45
13805	13105	3/4"	0.748	4.29	2.09	2.52	0.75
13806	13106	1"	0.984	4.29	2.25	2.97	1.14
13807	13107	1 1/4"	1.259	5.63	2.52	3.44	1.75
13808	13108	1 1/2"	1.574	5.63	2.74	3.88	2.41
13809	13109	2"	1.941	5.63	3.03	4.29	3.38
13810	13110	2 1/2"	2.52	7.76	4.25	5.53	7.03
13811	13111	3"	2.893	8.19	4.58	6.14	9.66
13812	13112	4"	3.838	9.25	5.49	7.79	18.30



SOLDER BRASS BALL VALVES

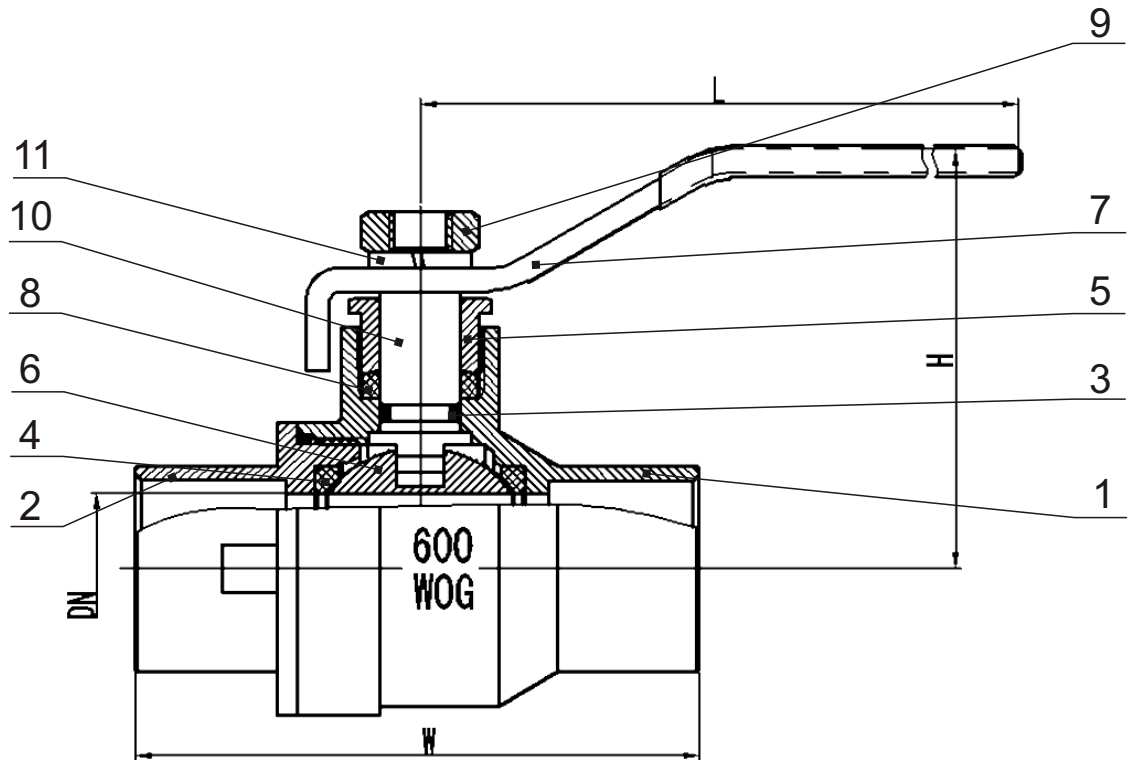


Complies with:

- CSA:
1/2"-4" per NSF/ANSI-61, NSF/ANSI-372, IGC-157
- UL:
1/2"-4" UL 842 (Guide YRBX, MHKZ)
1/2"-4" UL 125 (Guide YSDT, YRPV)
1/2"-4" UL 1477 (Guide YQNZ)
- FM:
1/2"-2" per FM1140 for 600 psig
- IAPMO:
1/2"-4" per NSF/ANSI-61, NSF/ANSI-372, IGC-157

Specifications:

- DZR (Dezincification resistant) forged brass
- 600 psi, non-shock CWP
- 150 psi, non-shock SWP
- Temperature range from -20 °F to 300 °F (-29 °C to 149 °C)
- Blow out proof packing gland & O-ring on stem combo mode
- Solder ends: ASME B16.22
- Handle with vinyl grip



List of Materials

#	Part	Material	
		Reg. Brass	Lead Free
1	Body	C37700	C46500
2	Bonnet	C37700	C46500
3	O-ring	NBR	NBR
4	Seat	PTFE	PTFE
5	Packing nut	C36000	C36000
6	Ball	S.S. SUS 304	S.S. SUS 304
7	Handle	Steel/Chrome	Steel/Chrome
8	Packing	PTFE	PTFE
9	Nut	Steel/Zinc	Steel/Zinc
10	Stem	S.S. SUS 304	S.S. SUS 304
11	Washer	Steel/Zinc	Steel/Zinc

Lead Free	Size	DN	L	H	W	Lbs
13204	1/2"	0.591	3.46	1.81	2.17	0.40
13205	3/4"	0.748	4.29	2.09	2.81	0.67
13206	1"	0.984	4.29	2.25	3.34	1.03
13207	1 1/4"	1.259	5.63	2.52	3.91	1.59
13208	1 1/2"	1.574	5.63	2.74	4.46	2.28
13209	2"	1.941	5.63	3.03	5.45	3.48
13210	2 1/2"	2.52	7.76	4.25	6.42	6.72
13211	3"	2.893	8.19	4.58	7.15	8.66
13212	4"	3.839	9.25	5.49	9.57	17.42