

**BMI USA FROST FREE FAUCETS  
PRICE LIST**

**FFF  
18-2**

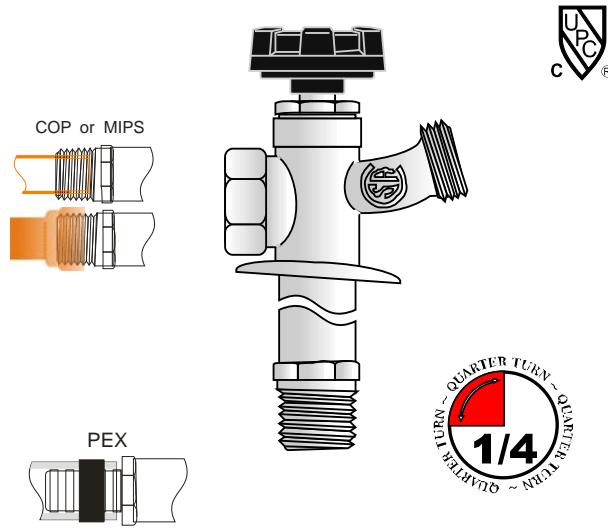
August 15, 2018

**NOT SUITABLE FOR POTABLE WATER**

**BMI QUARTER TURN FROST FREE FAUCETS**

COP or MIPS x 1/2"				
BMI#	Size	Packing	Barcode	\$
27004	4	1/25	777701270048	66.68
27006	6	1/25	777701270062	69.01
27008	8	1/25	777701270086	71.42
27010	10	1/25	777701270109	73.85
27012	12	1/25	777701270123	76.36
27014	14	1/25	777701270147	78.77
27018	18	1/25	777701270185	86.03

PEX x 1/2"				
BMI#	Size	Packing	Barcode	\$
27204	4	1/25	777701272042	66.61
27206	6	1/25	777701272066	68.94
27208	8	1/25	777701272080	71.35
27210	10	1/25	777701272103	73.77
27212	12	1/25	777701272127	76.28
27214	14	1/25	777701272141	78.69
27218	18	1/25	777701272189	85.94

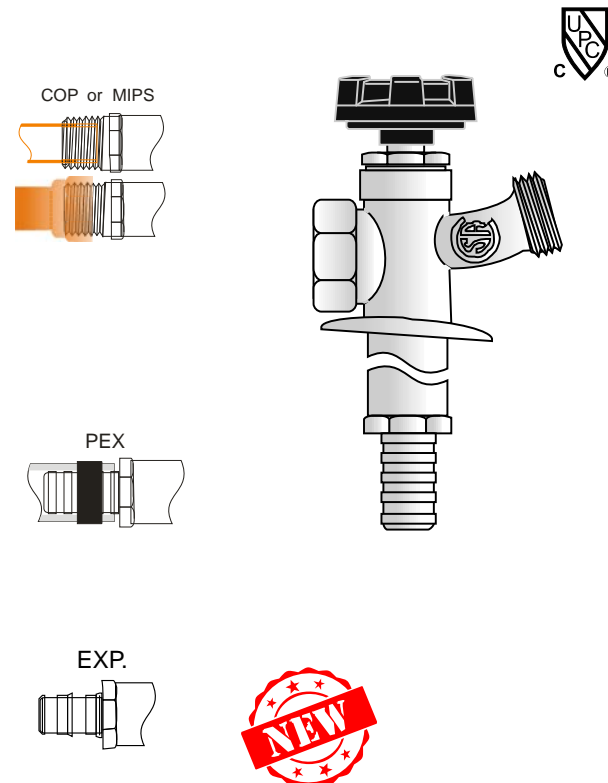


**BMI ULTRA FROST FREE FAUCETS**

COP or MIPS x 1/2"				
BMI#	Size	Packing	Barcode	\$
27404	4	1/25	777701274046	49.58
27406	6	1/25	777701274060	51.83
27408	8	1/25	777701274084	53.99
27410	10	1/25	777701274107	56.24
27412	12	1/25	777701274121	58.49
27414	14	1/25	777701274145	60.73
27418	18	1/25	777701274183	67.40

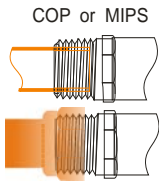
PEX x 1/2"				
BMI#	Size	Packing	Barcode	\$
27504	4	1/25	777701275043	57.00
27506	6	1/25	777701275067	59.60
27508	8	1/25	777701275081	62.10
27510	10	1/25	777701275104	64.65
27512	12	1/25	777701275128	67.25
27514	14	1/25	777701275142	69.85
27518	18	1/25	777701275180	77.50

COLD EXPANSION x 1/2"				
BMI#	Size	Packing	Barcode	\$
27818	8	1/25	777701278181	72.45
27820	10	1/25	777701278204	75.50
27822	12	1/25	777701278228	78.50
27824	14	1/25	777701278242	81.50

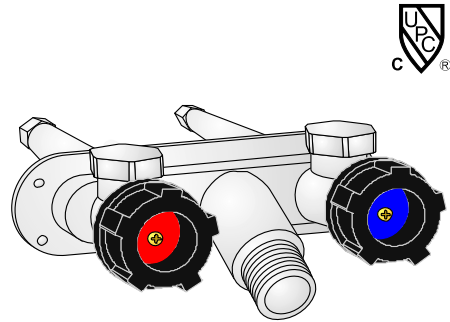


**NOT SUITABLE FOR POTABLE WATER**

**BMI HOT & COLD FROST FREE FAUCETS**



BMI#	Size	Packing	Barcode	\$
27804	4	1/10	777701278044	168.00
27806	6	1/10	777701278068	185.85
27808	8	1/10	777701278082	201.60
27810	10	1/10	777701278105	218.40
27812	12	1/10	777701278129	231.00
27814	14	1/10	777701278143	252.00

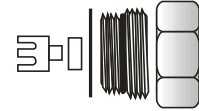


**HOT & COLD STEM ASSEMBLY REPLACEMENT KITS**

BMI#	Size	Packing	Barcode	\$
27924	4	1/25	777701279249	16.83
27926	6	1/25	777701279263	17.65
27928	8	1/25	777701279287	18.57
27930	10	1/25	777701279300	19.49
27932	12	1/25	777701279324	20.71
27934	14	1/25	777701279348	21.63

**VACUUM BREAKER REPLACEMENT KIT**

BMI#	Packing	Barcode	\$
27883	1/50	777701278839	5.00



**ALUMINUM with ABS COATING HANDLE REPLACEMENT KIT**

BMI#	Packing	Barcode	\$
27884	25/100	777701278846	4.80

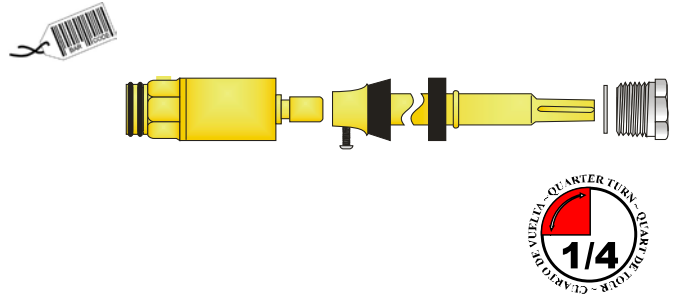


**NOT SUITABLE FOR POTABLE WATER**

## PARTS FOR QUARTER TURN FAUCETS

### STEM ASSEMBLY REPLACEMENT KITS

BMI#	Size	Packing	Barcode	\$
27604	4	1/25	777701276040	21.88
27606	6	1/25	777701276064	22.94
27608	8	1/25	777701276088	24.15
27610	10	1/25	777701276101	25.34
27612	12	1/25	777701276125	26.92
27614	14	1/25	777701276149	28.12
27618	18	1/25	777701276187	36.19



### VACUUM BREAKER REPLACEMENT KITS

BMI#	Packing	Barcode	\$
27883	1/50	777701278839	5.00



### ALUMINUM with ABS COATING HANDLE REPLACEMENT KITS

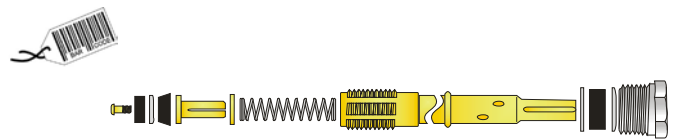
BMI#	Packing	Barcode	\$
27884	25/100	777701278846	4.80



## PARTS FOR ULTRA FAUCETS

### STEM ASSEMBLY REPLACEMENT KIT

BMI#	Size	Packing	Barcode	\$
27708	8	1/25	777701277085	18.57
27710	10	1/25	777701277108	19.49
27712	12	1/25	777701277122	20.71
27714	14	1/25	777701277146	21.63
27718	18	1/25	777701277184	27.85



### VACUUM BREAKER REPLACEMENT KIT

BMI#	Packing	Barcode	\$
27883	1/50	777701278839	5.00



### ALUMINUM with ABS COATING HANDLE REPLACEMENT KIT

BMI#	Packing	Barcode	\$
27884	25/100	777701278846	4.80



## PARTS FOR INDONESIA FAUCETS

### STEM ASSEMBLY REPLACEMENT KIT

BMI#	Size	Packing	Barcode	\$
27908	8	1/25	777701279089	16.01
27910	10	1/25	777701279102	16.80
27912	12	1/25	777701279126	17.85
27914	14	1/25	777701279140	18.65

