

BMI CANADA MJ COUPLINGS PRICE LIST

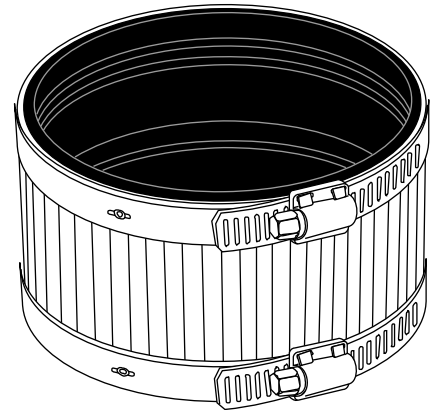
**NHC
16-2**

March 21, 2016 (b)

REGULAR

BMI#	Size	Packing	Pallet	\$
18908	1 1/2	100	7 200	6.84
18909	2	100	6 300	7.43
18911	3	100	3 200	8.66
18912	4	60	2 400	10.06
18913	5	20	960	21.18
18914	6	20	880	22.93
18918	8	15	360	32.29
18919	10	12	288	42.71

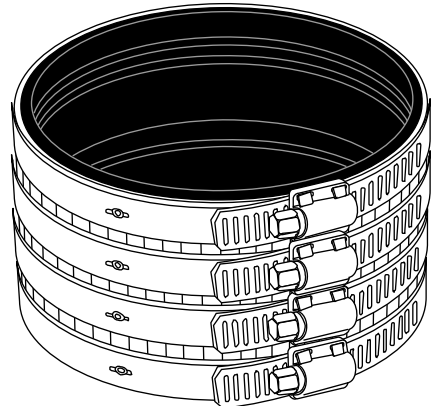
18940	2 x 1 1/2	100	6 300	9.07
18952	3 x 2	100	3 200	13.49



CAN/ULC-S102

HEAVY PATTERN

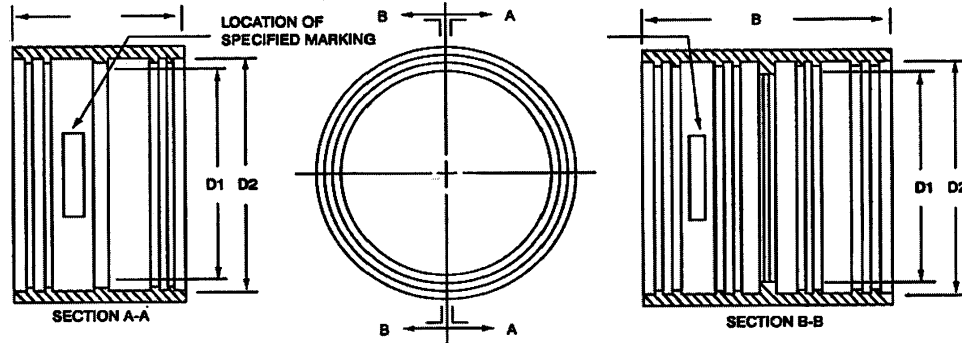
BMI#	Size	Packing	Pallet	\$
18969	2	75	4 725	17.78
18971	3	48	3 024	21.53
18972	4	48	1 536	26.49
18973	5	15	720	46.68
18974	6	15	630	56.24
18975	8	15	360	79.82
18976	10	10	180	97.04



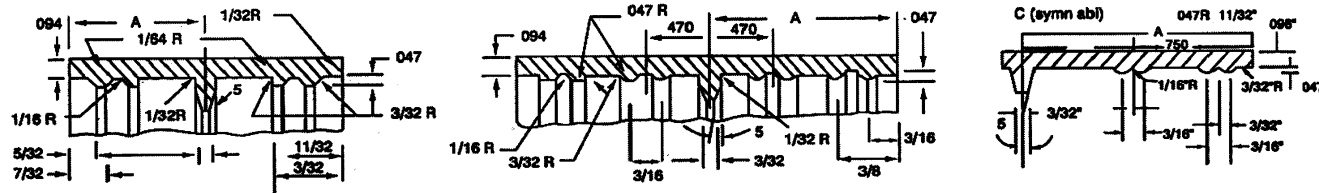
CAN/ULC-S102

TECHNICAL SPECIFICATION

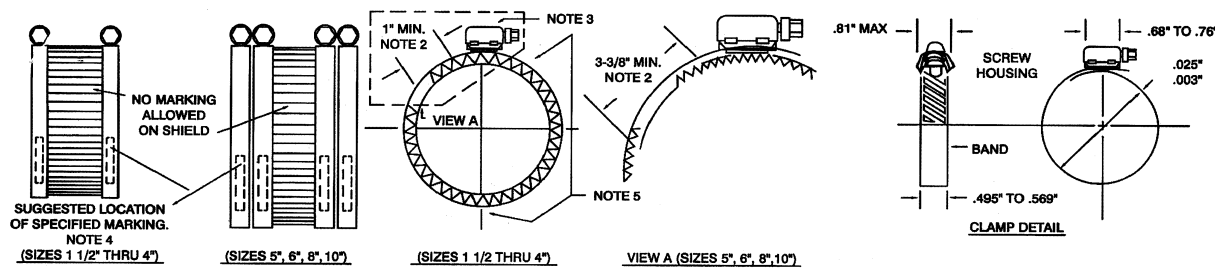
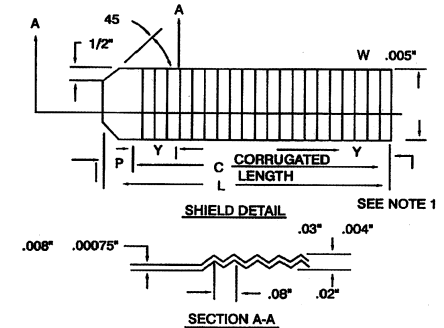
ASTM C 1277 CSA B125 UPC C1277-2006



Material:
 Band: Stainless Steel 310
 Shield: Stainless Steel 310
 Screw: Stainless Steel 305
 Rubber: Neoprene



DIMENSIONAL TOLERANCES TO BE RMA CLASS 3 (In Inches)						
Size	1 1/2"	2"	3"	4"	6"	8"
A	1.062	1.062	1.062	1.062	1.500	2
HEAVY PATTERN	2.125	2.125	2.125	2.125	3.000	4.000
D1	1.531	1.968	2.968	4.000	5.968	7.968
D2	1.937	2.343	3.343	4.406	6.343	8.343
P	.625-1	.625-1	.625-1	.625-1	2.25-2.5	2.25-2.5
L	7.500	9.000	12.250	15.625	22.625	29.031
W	2.125	2.125	2.125	2.125	3.000	3.000
X	2.5-1.5	3-2	4-3	5-4	7.2-6.3	9.2-8.3
C	6.875-6.5	8.375-8	11.625-11.25	15-14.625	20.375-20.125	25.875-26.125



All taxes extra
 All prices in Canadian dollars

BMI Canada Price List NHC 16-2 replaces NHC 15-1

Page 2 of 2